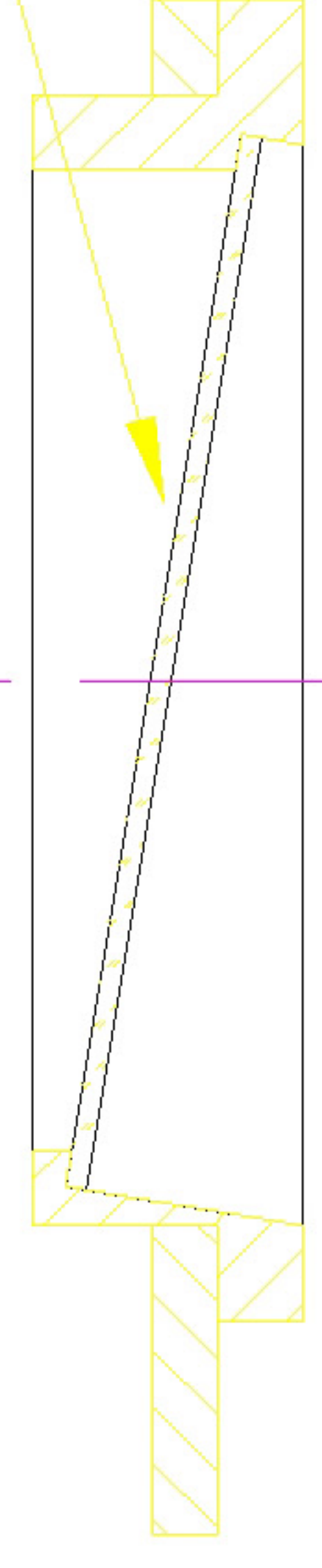
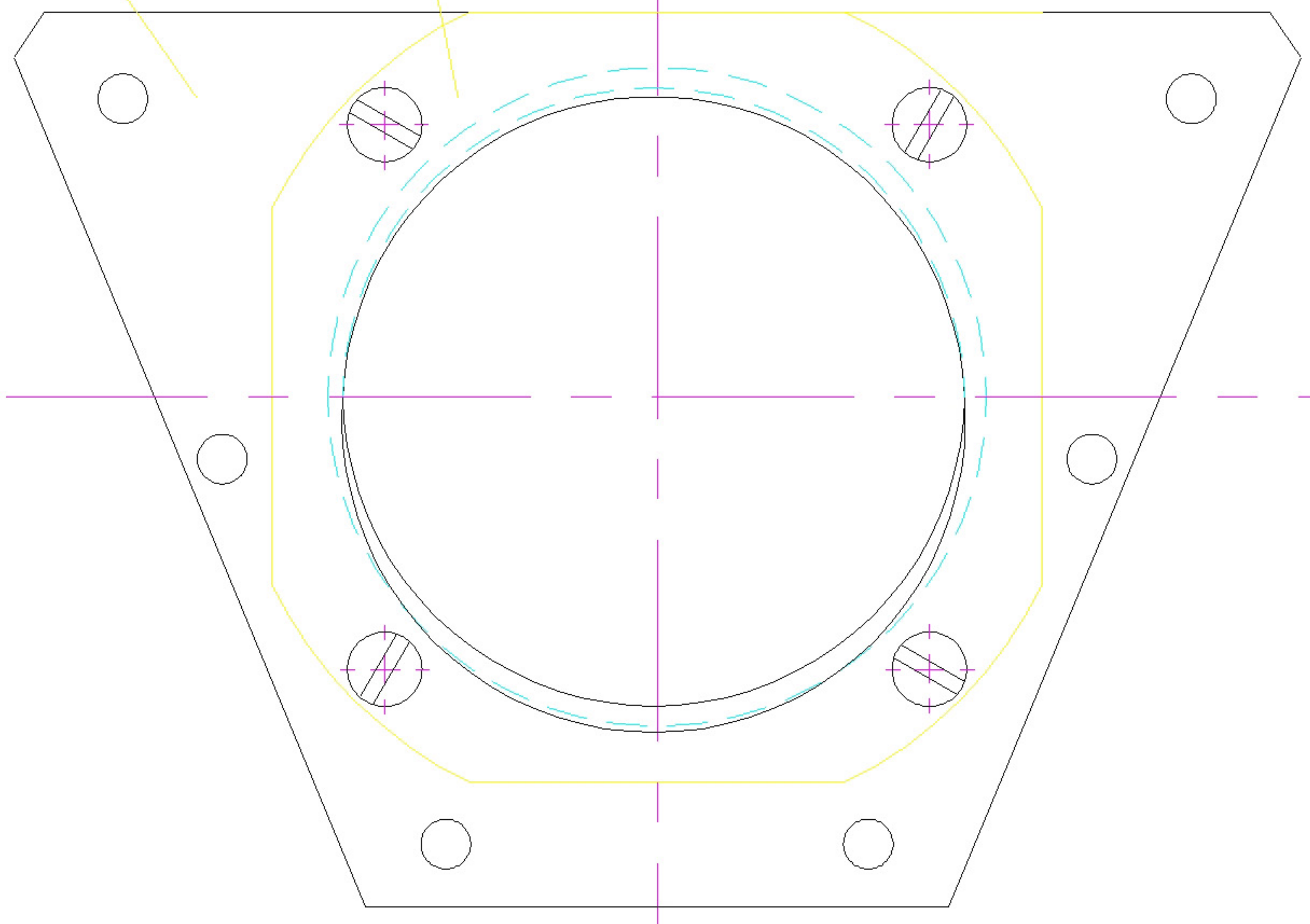


E-BS-02

E-BS-01

MELLES GRIOT BEAMSPLITTER
No. 03 BTF 023



ALFOSC BEAMSPLITTER
BEAMSPLITTER HOLDER

NO. OF PCS.:	MATERIAL:	TOLERANCE :	FIT TO :	MODIFIED	DATE :	ACAD DWG. NO.:	DISC. NO.:
						A-ASY-BS	
CONTR.:				PROJECT : AFOSC			
DATE : 25.07.92				DRAWN: K.S.J.			
SCALE : 1:1				DWG. NO. : A-ASY-BS			

COPENHAGEN UNIVERSITY OBSERVATORY

BRORFELDEVEJ, DK 4340 TOLLULOSE

TELF. 53 48 81 95
FAX. 53 48 87 55

