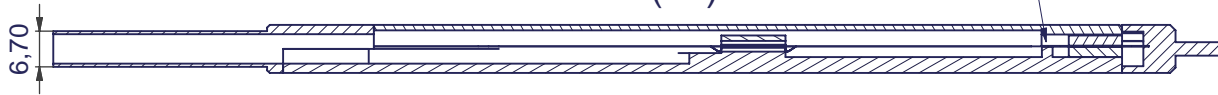
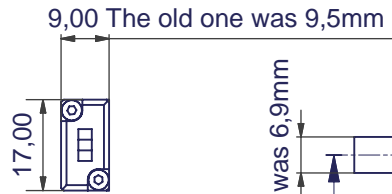
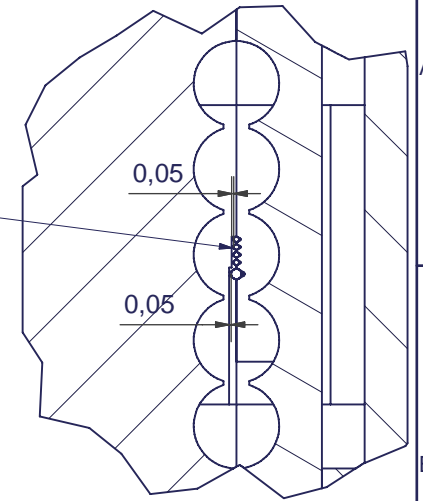


Fiber-support placed in front of the micro V-block

A-A (1)



C (8)



Cover in one part

B

B

Ø6,70 the old one was 6,9mm

A

A

B-B (1)




6,65

C



Protectionhead for use during installation of the fiber

Institute of Physics and Astronomy Aarhus Universitet				IFA 		Mtr Designer John E. Andersen	
				Project Fiberhåndtag			
				Creation date Last saved			
				10-01-2007 14sep06 - 12:23pm		Rev no.	
				Q:\Inventor DWG\Søren Frandsen\FIES\fiber håndtag\0-Ass håndtag rev2.iam		A3	
Rev	Changes	Date	Name				

0-Ass håndtag rev2.