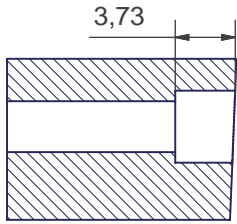
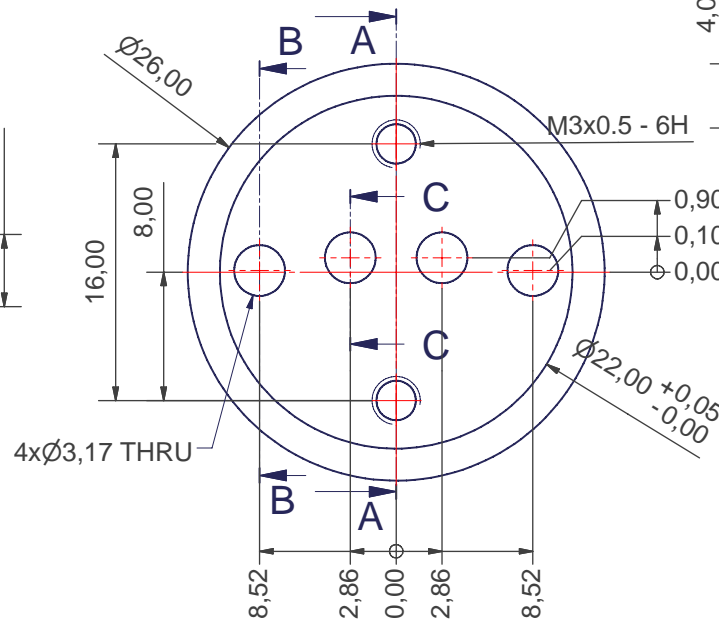
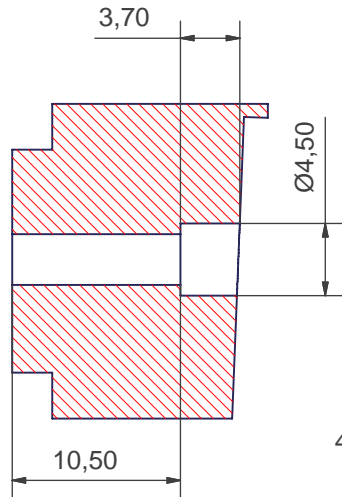


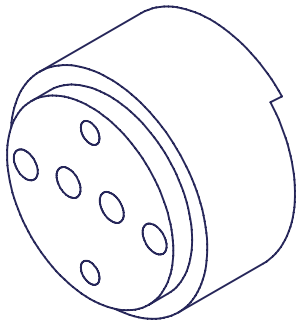
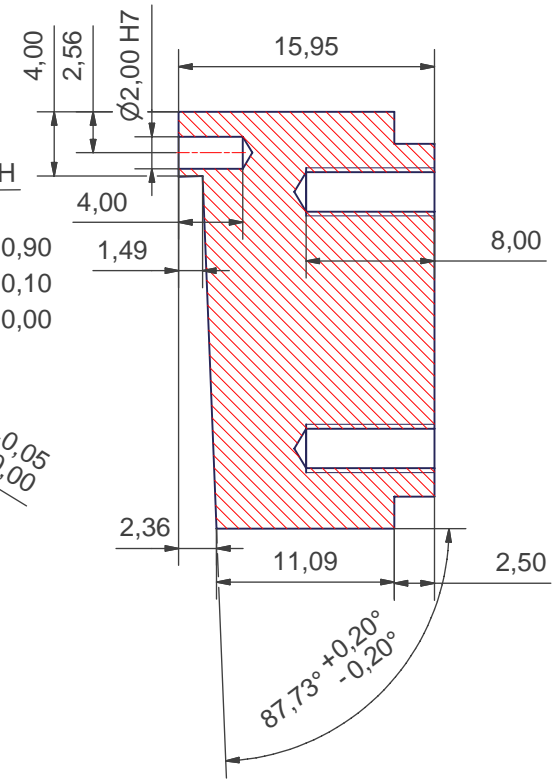
C-C (3:1)




B-B (3:1)



A-A (3:1)



Institute of Physics and Astronomy Aarhus Universitet			Mtr Stainless Steel, 304	
			Designer John E. Andersen	
		Project Input V-Block		
		Creation date 13-10-2004		Rev no.
		Last saved 27aug04 - 8:48am		A3
		1-hoved		
Q:\Inventor DWG\Søren Frandsen\FIES\Input V-block\Fiber håndtag1-hoved.ipt				