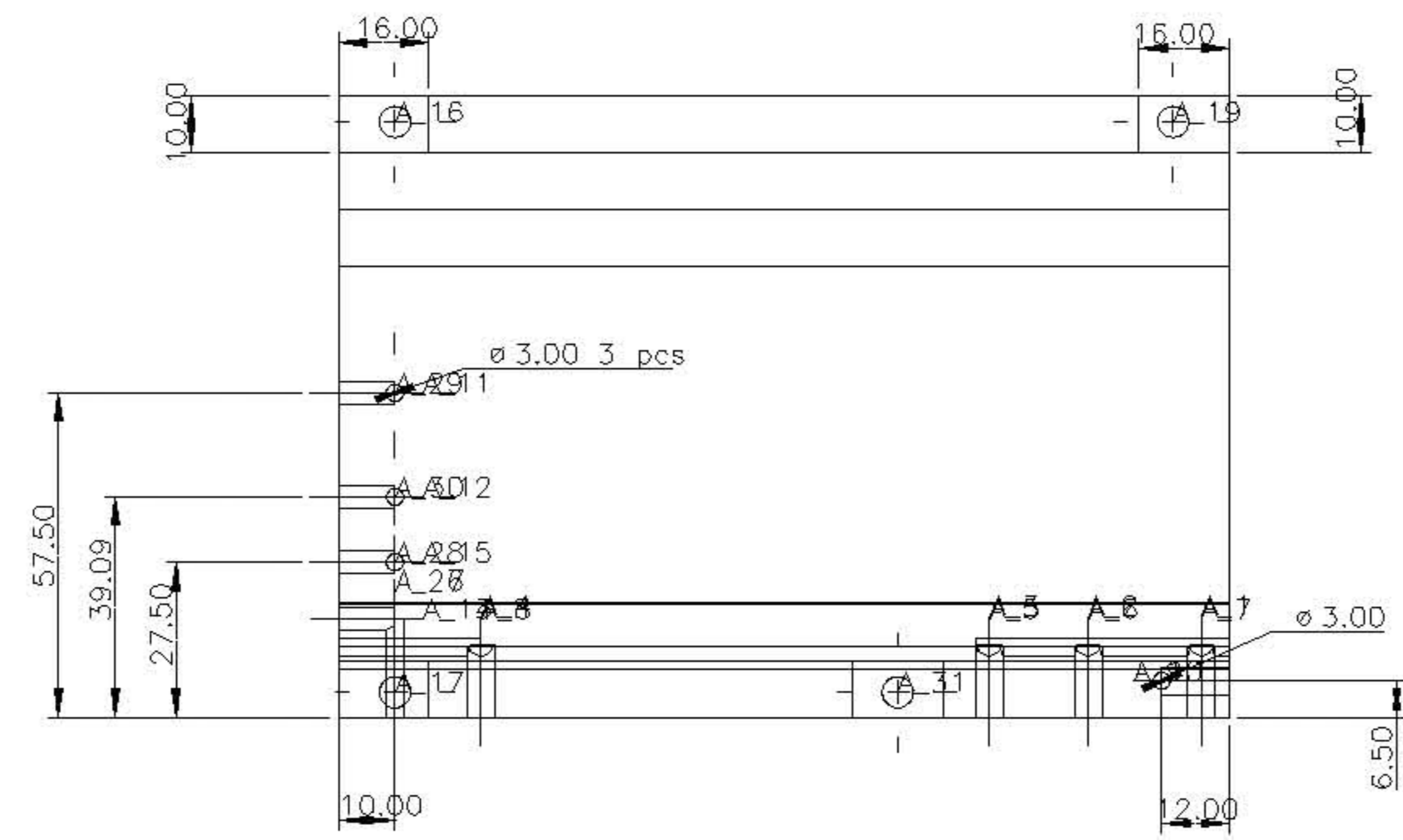
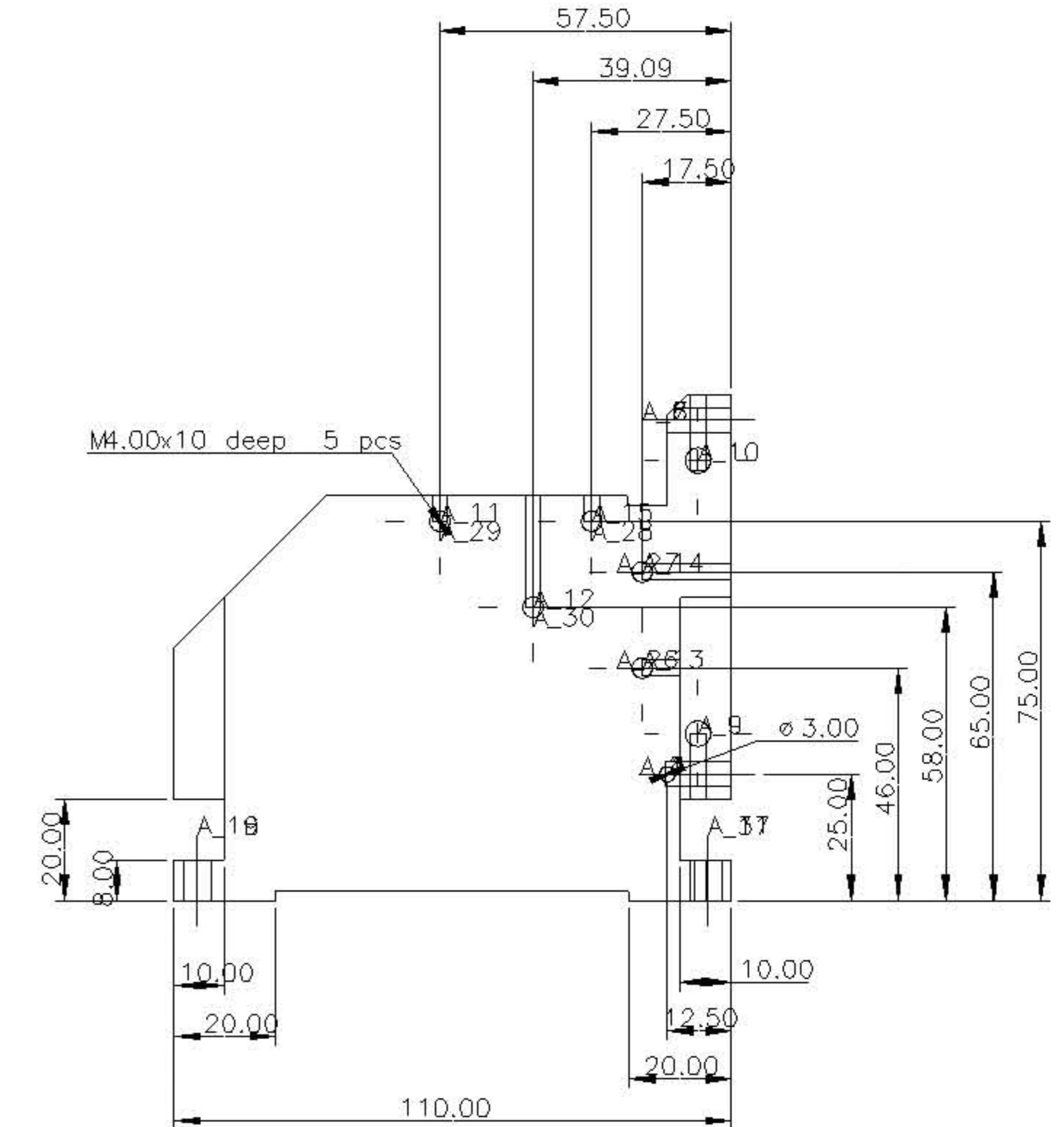
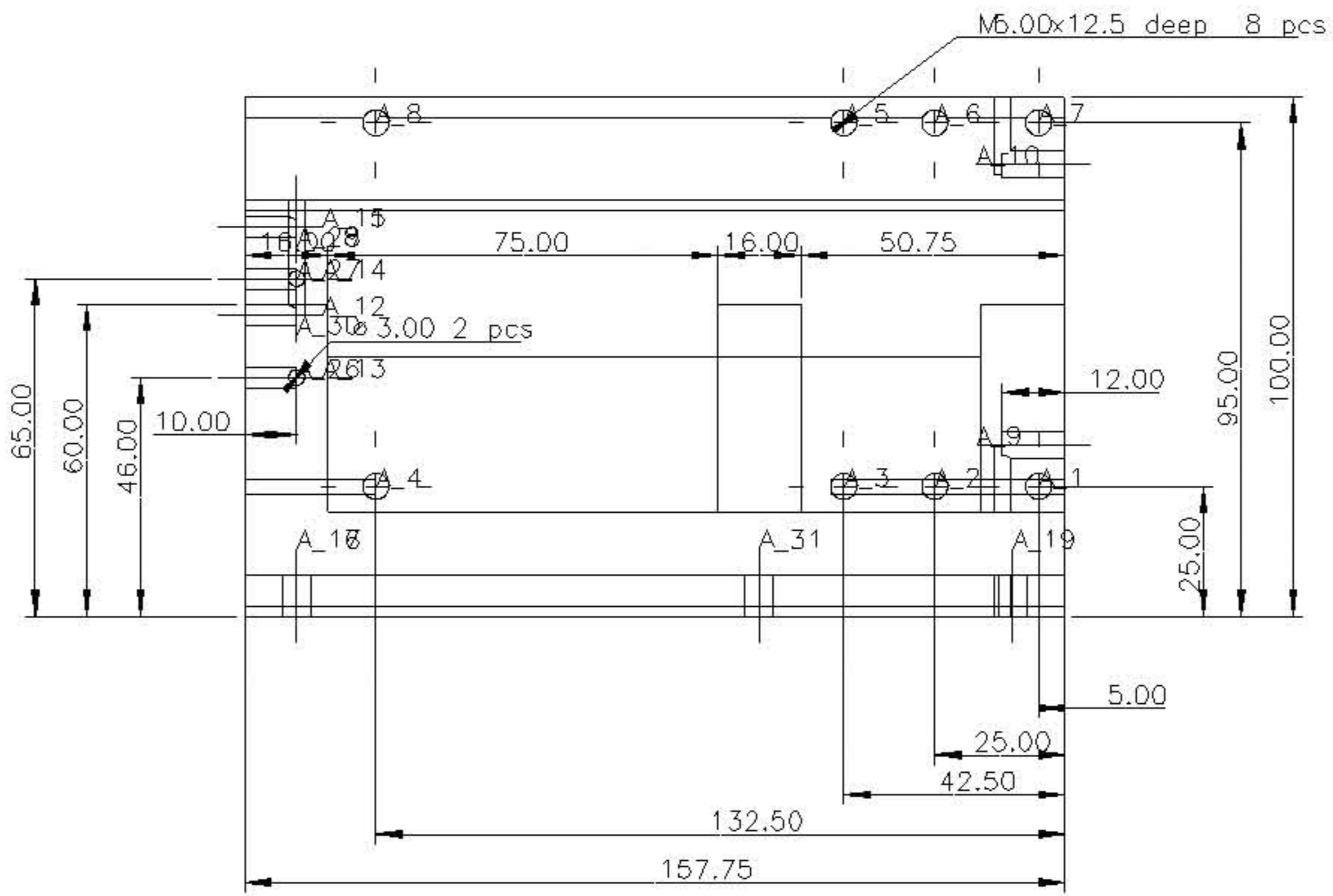
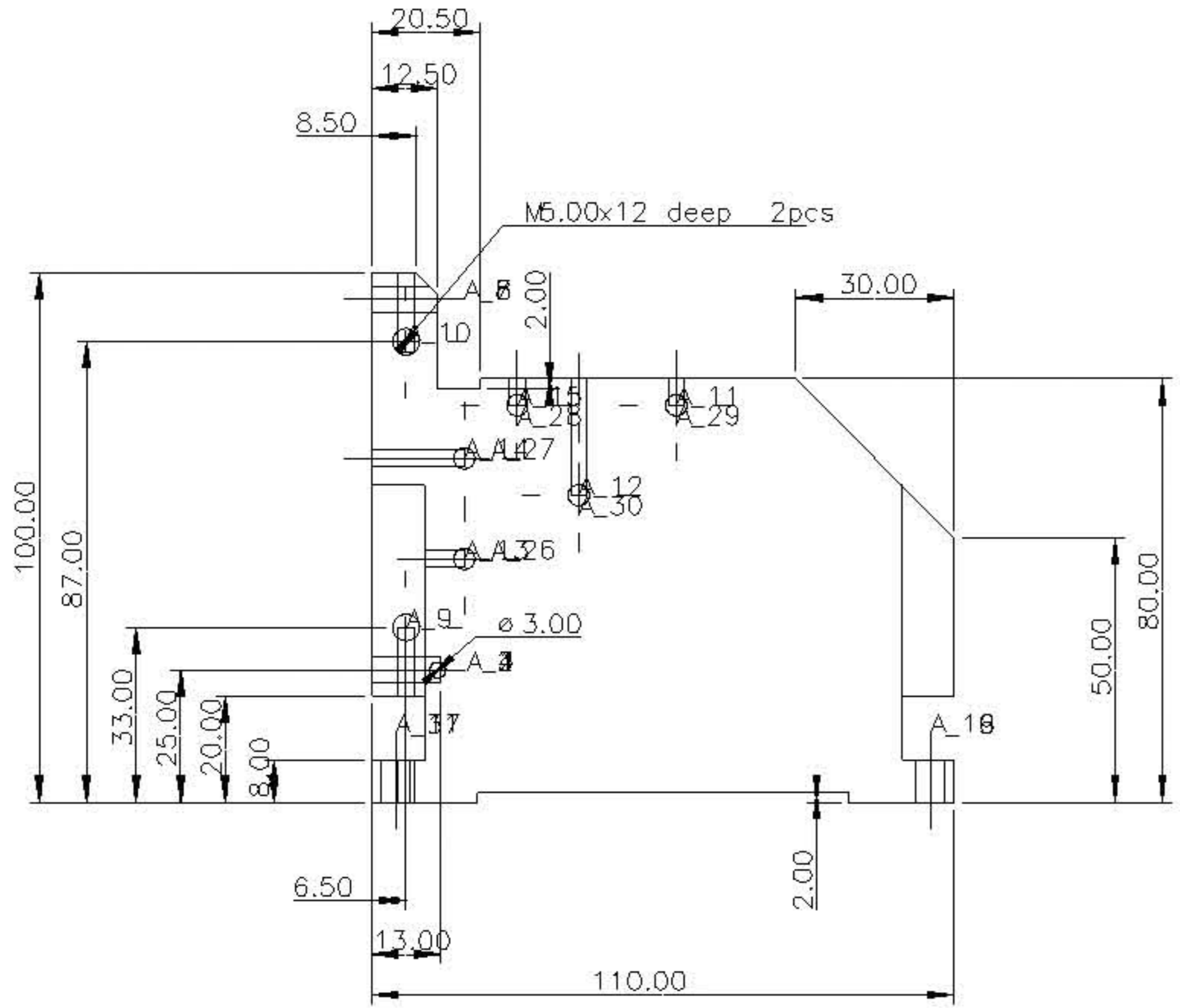


SCALE 1:2



NOTES:  
1. Alle hull gjennomg?ende eller med ventilasjonshull

Issue:	Status/Change:	Date:	Constr:	Drawn:	Check:	Prod:	App.:	
Draw stand.:	Material:	THIS DRAWING SHALL NOT BE COPIED OR COMMUNICATED TO ANY THIRD PERSON WITHOUT CONSENT FROM PROTOTECH A.S. N-5036 FANTOFT NORWAY.						
General tol.:	Mat. cert.:							
Surf. rough.:	Proj.:							
Title:							Scale:	Orig. format:
NOT Shutter Unit Body PART DRAWING		1:1	A1					
Draw. no.:		97621-01-06-01-PRT-A						