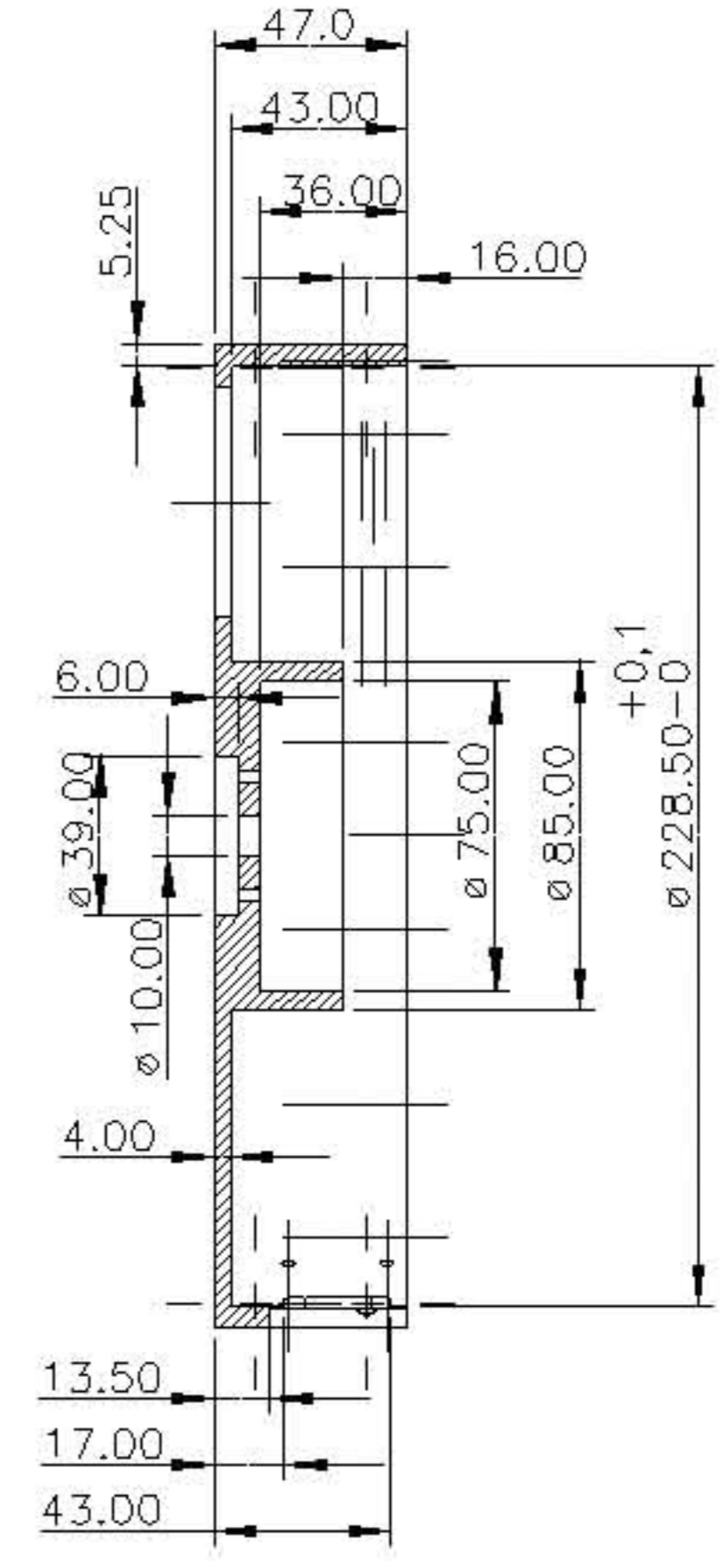
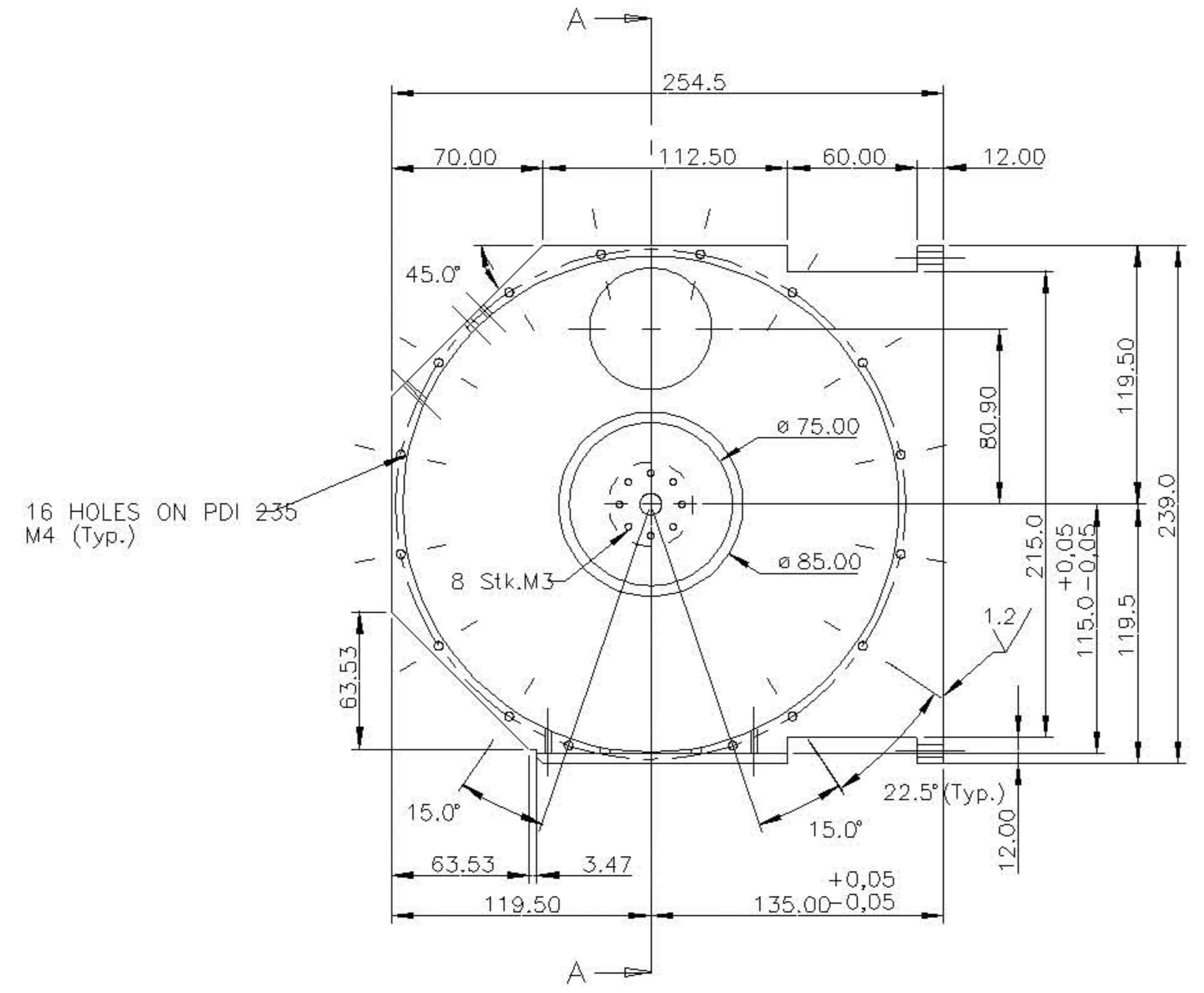
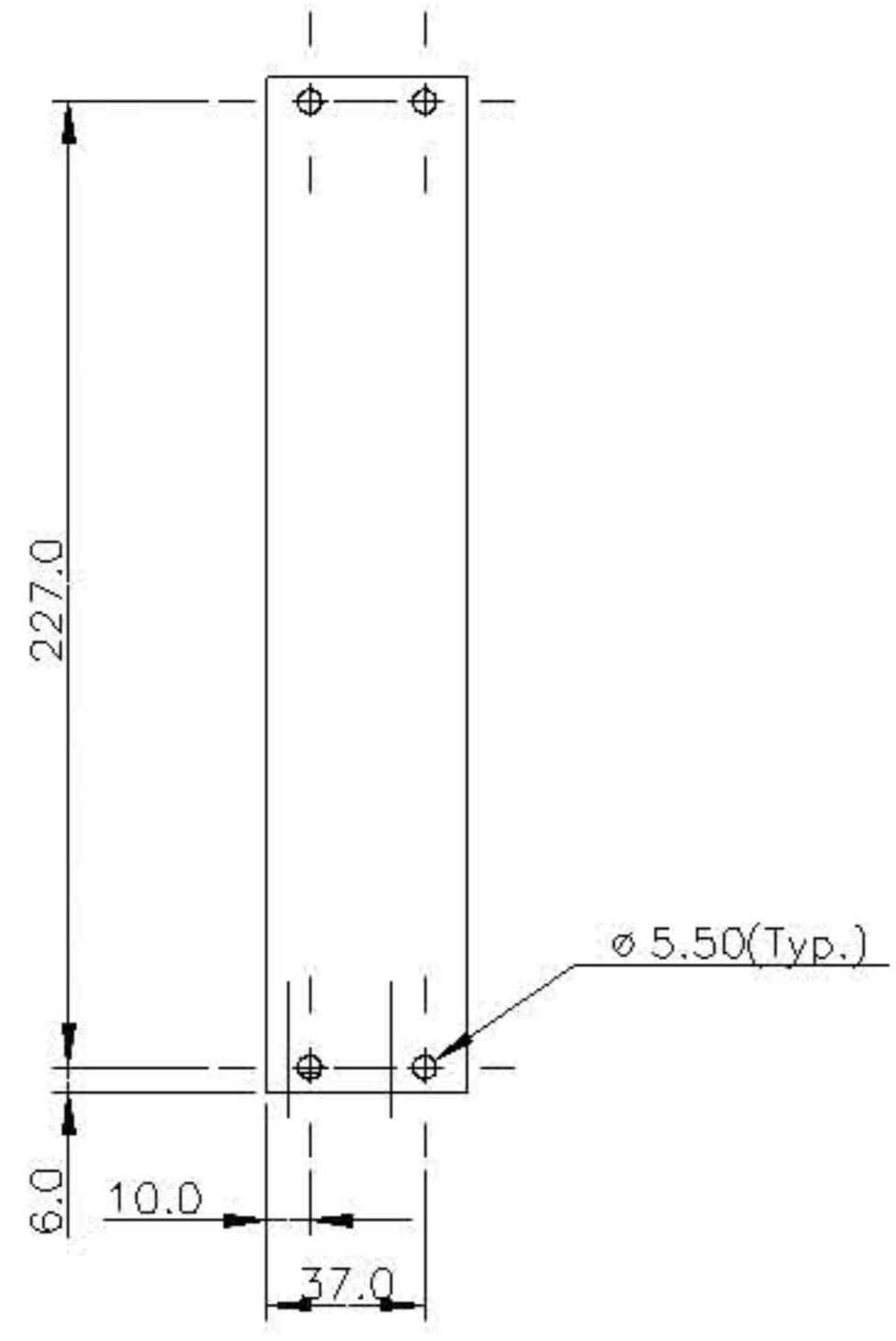
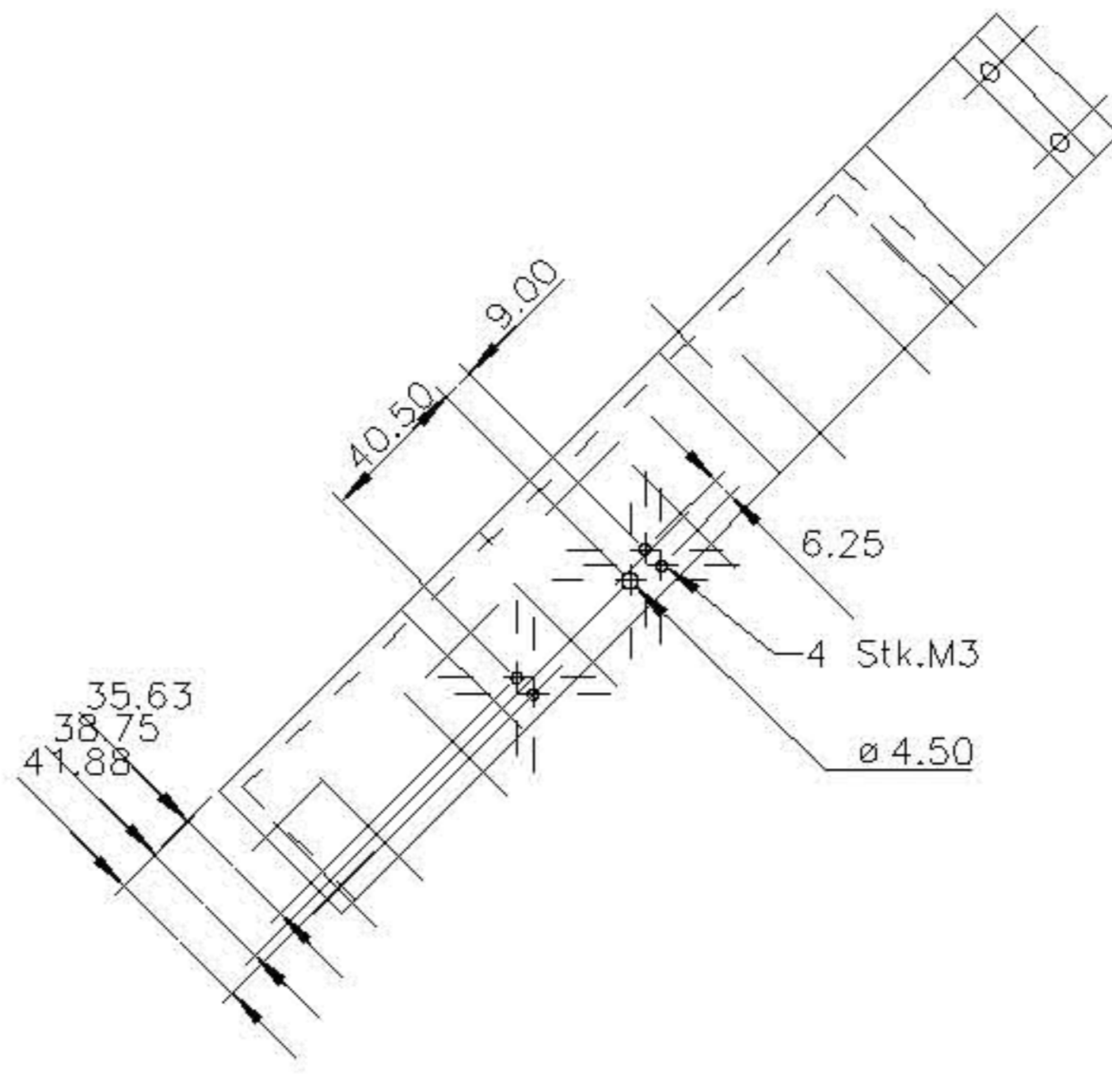


SCALE 1:2



SECTION A-A



-	-	-	-	-	-
-	-	-	-	-	-
-	-	-	-	-	-
-	-	-	-	-	-
A FIRST DRAWING			311097 PH AMAA	-	-
Issue:	Status/Change:			Date:	Constr: Drawn: Check: Prod: App.:
Draw stand.:	Material:	THIS DRAWING SHALL NOT BE COPIED OR COMMUNICATED TO ANY THIRD PERSON WITHOUT CONSENT FROM PROTOTECH A.S. N-5036 FANTOFT NORWAY.			
General tol.:	Mat. cert.:				
Surf. rough.:	Proj.:				
Title: NOT - NORDIC OPTICAL TELESCOPE ENCLOSURE PART DRAWING			Scale: 1:2	Org. format: A1	Draw. no.: 97621_01_02_01_PRT_A

