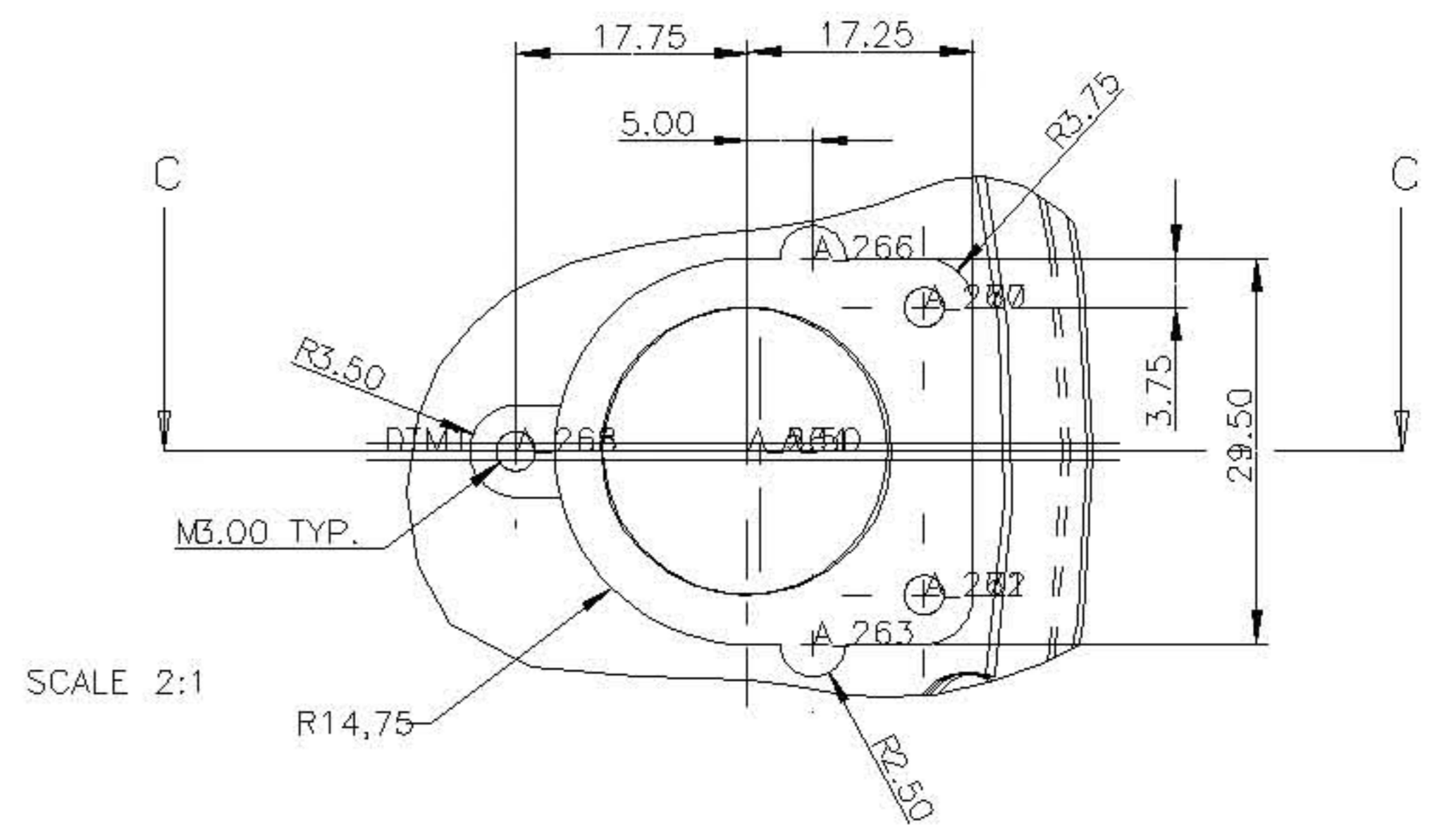
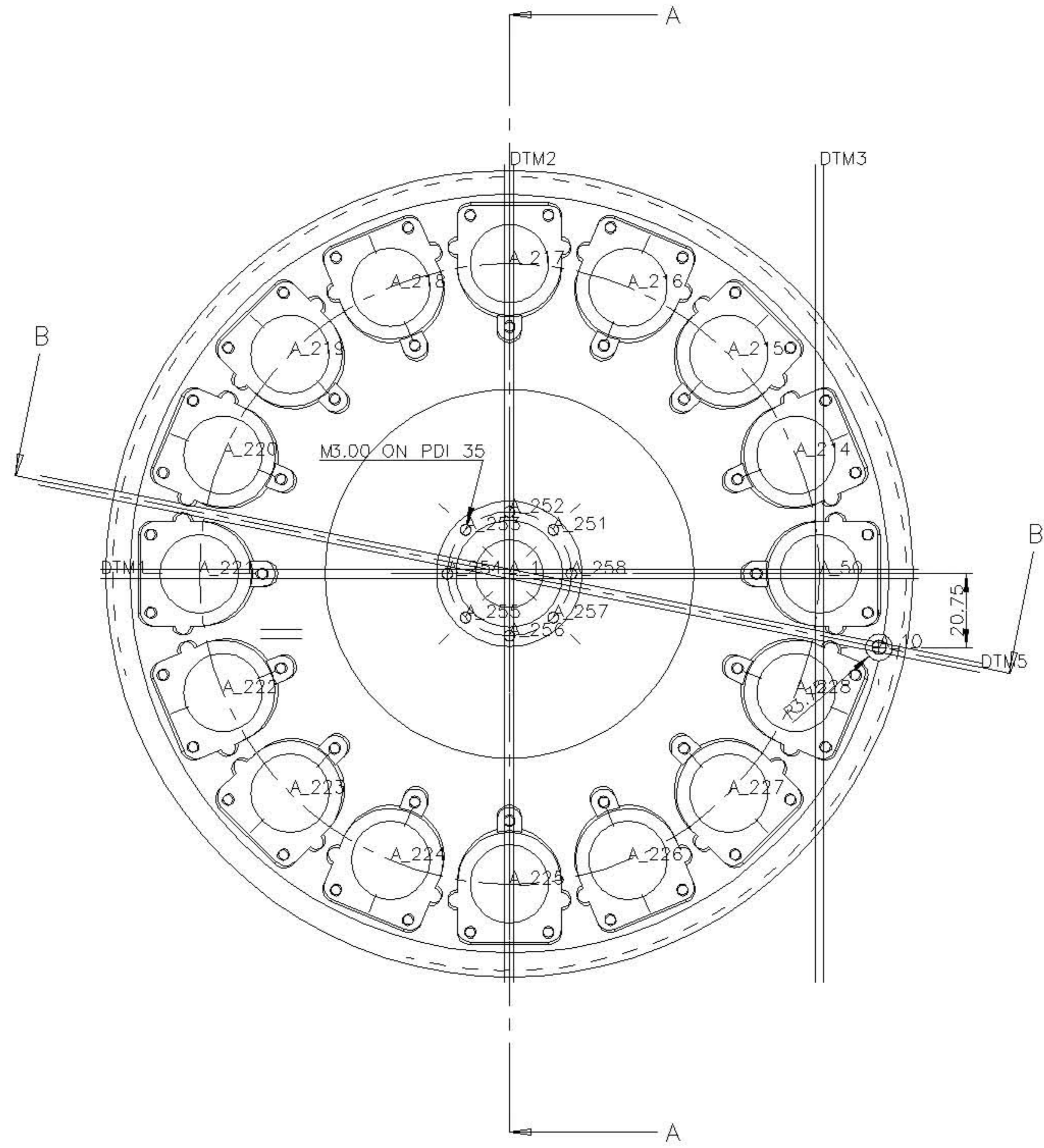
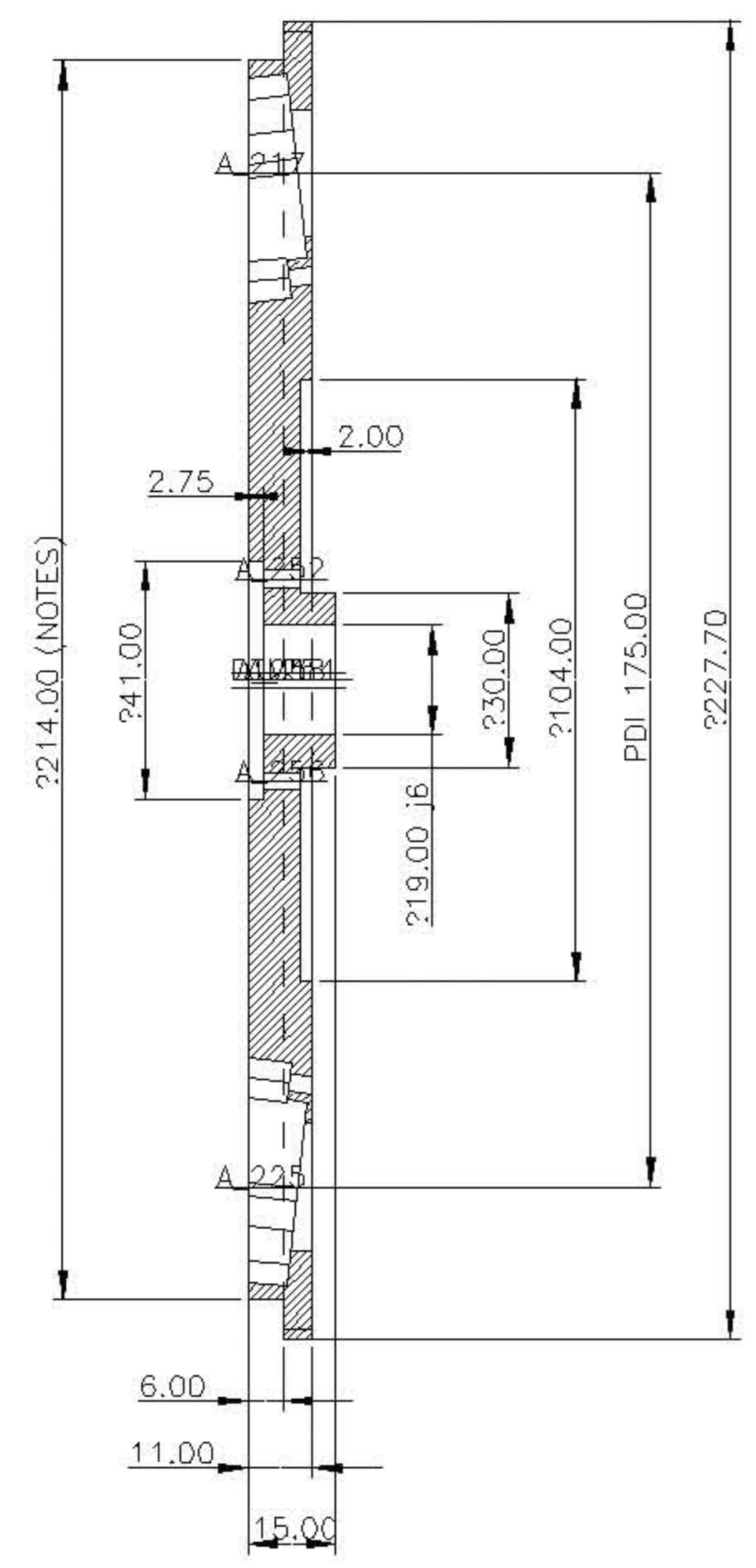
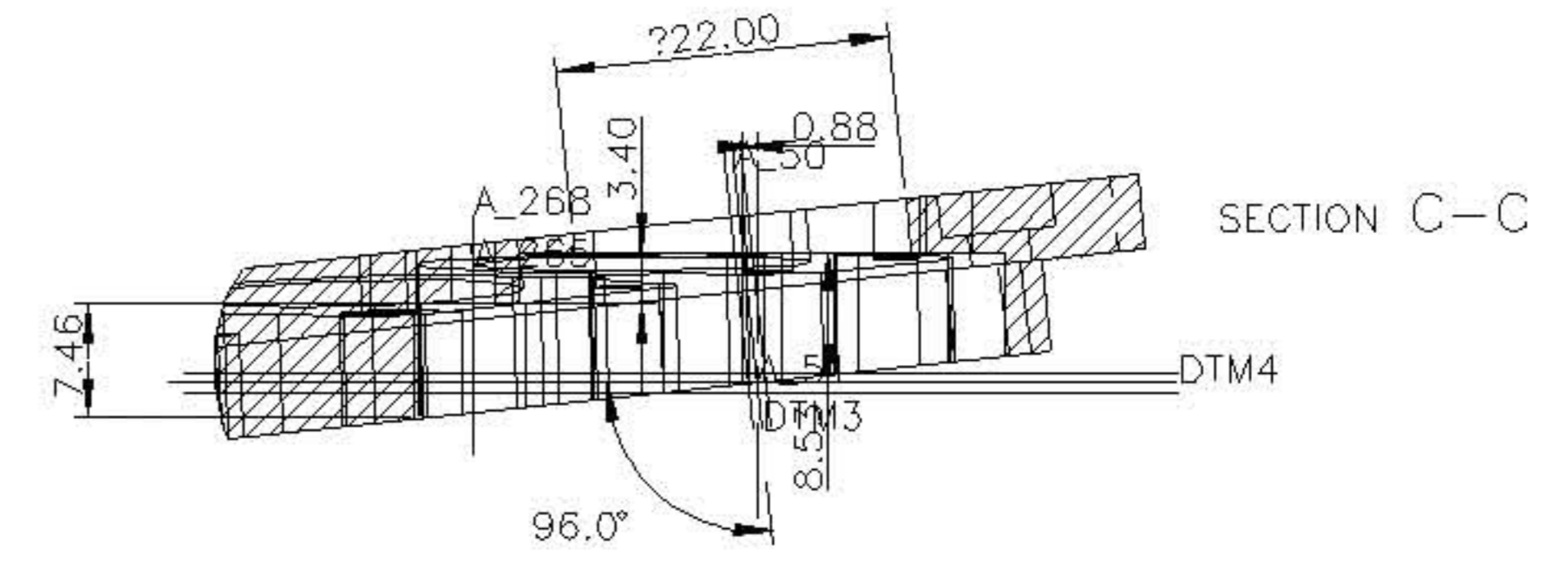


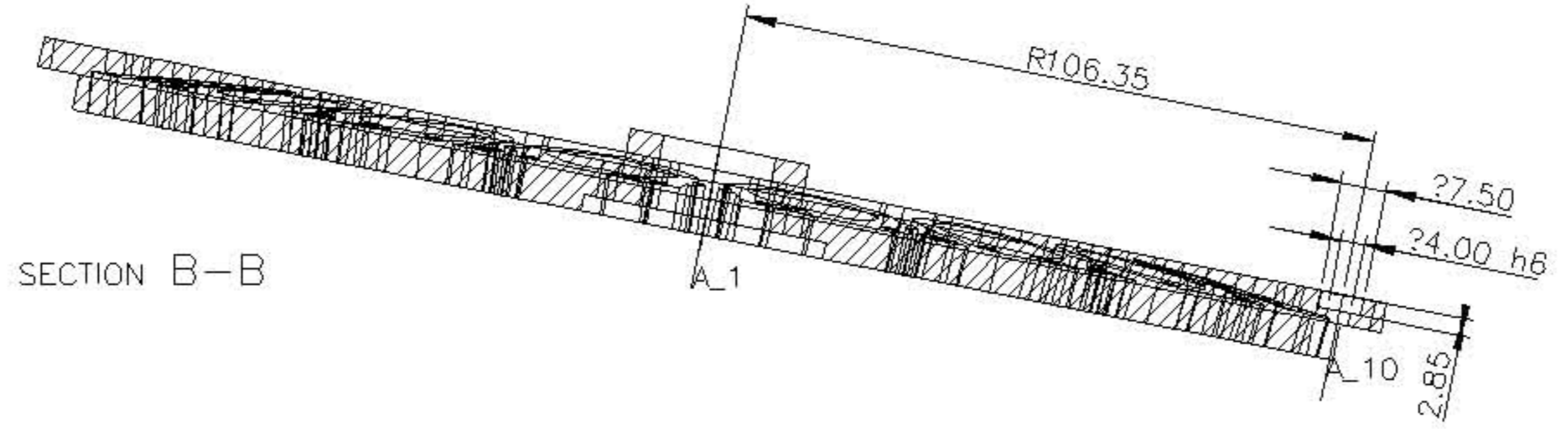
SECTION A-A



SCALE 2:1



SECTION C-C



SECTION B-B

NOTES:
EMNE ?228, TANNHJUL: DD 225, M = 1, Z = 225 TENNER

Issue:	Status/Change:	Date:	Constr:	Drawn:	Check:	Prod:	App.:	
A	FIRST DRAWING	971107	PH	ASI	-	RR	RDS	
Draw stand.:	Material:	THIS DRAWING SHALL NOT BE COPIED OR COMMUNICATED TO ANY THIRD PERSON WITHOUT CONSENT FROM PROTOTECH A.S. N-5036 FANTOFT NORWAY.						
General tol.:	Mat. cert.:							
Surf. rough.:	Proj.:							
Title:	NOT - NORDIC OPTICAL TELESCOPE GEAR D PART DRAWING						Draw. no.:	97621_01_04_15_PRT_A