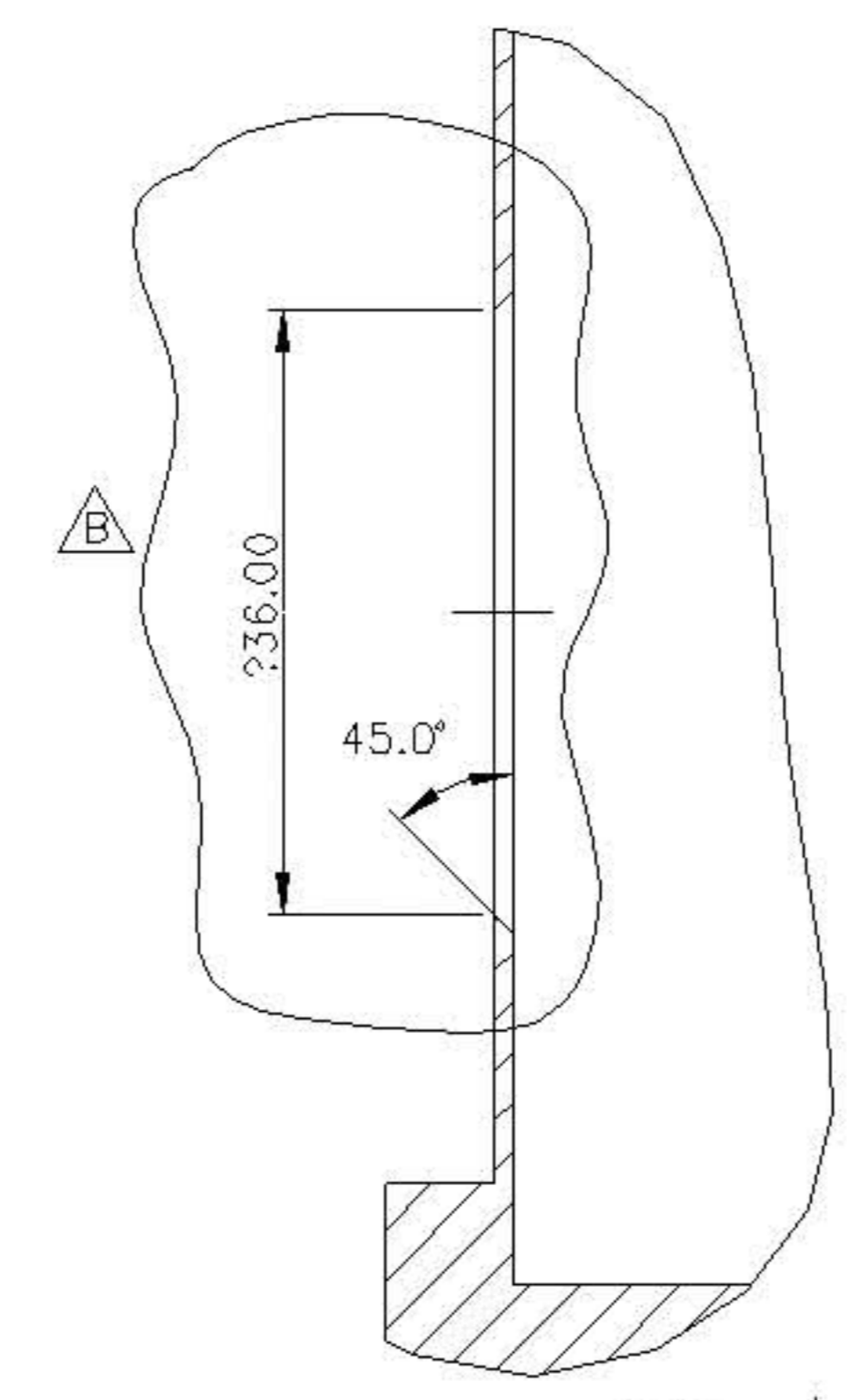
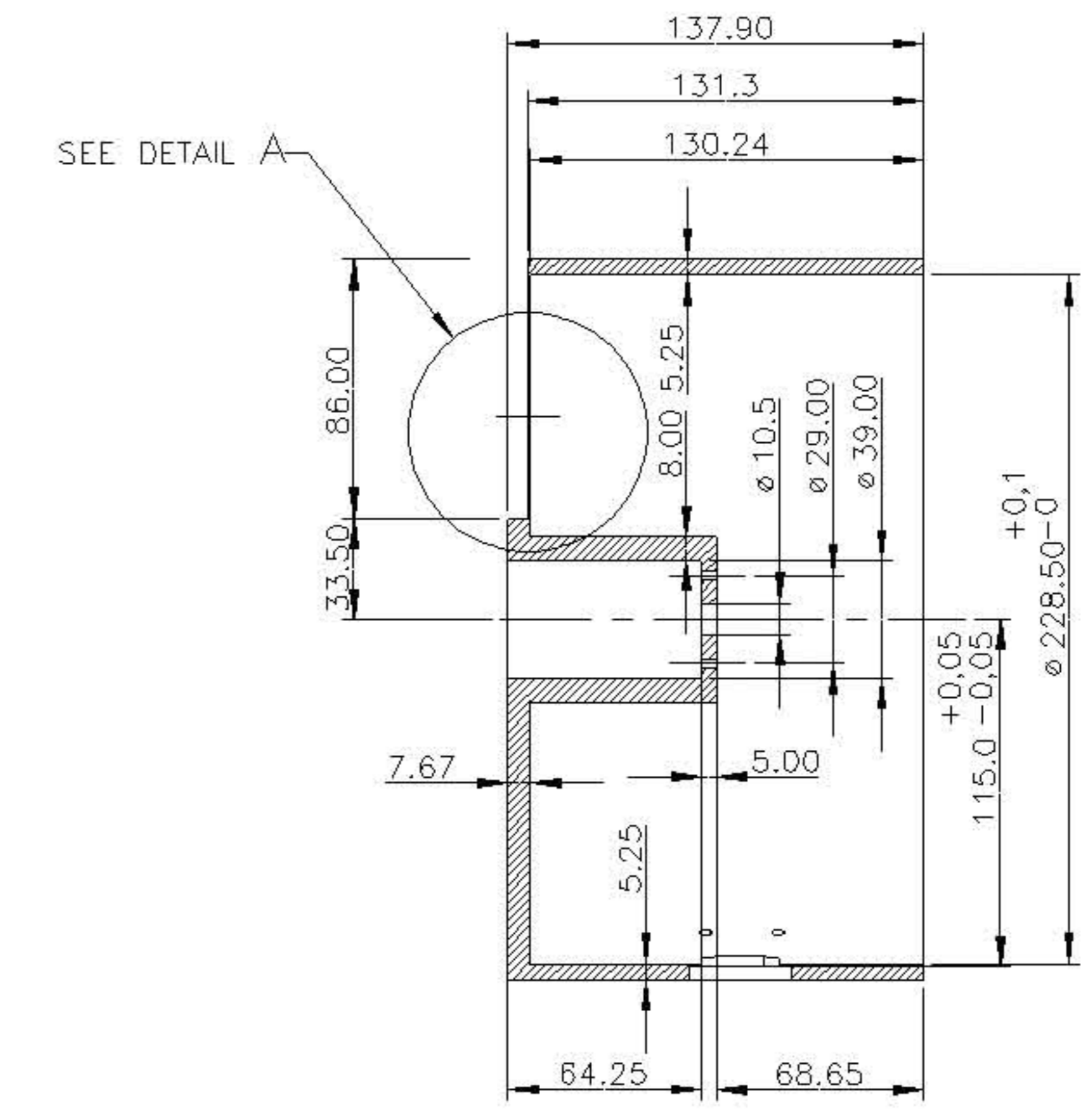


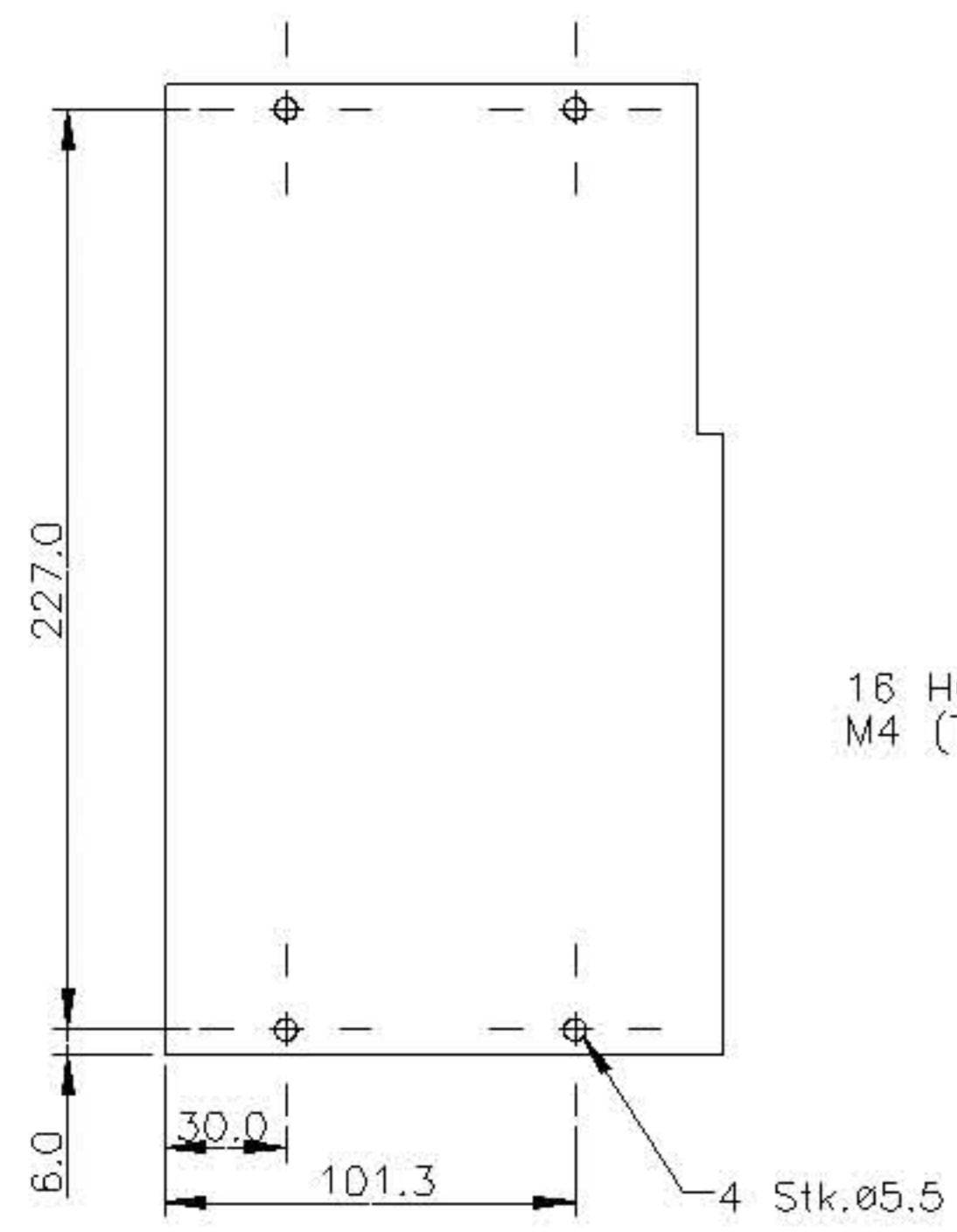
SCALE 1:2



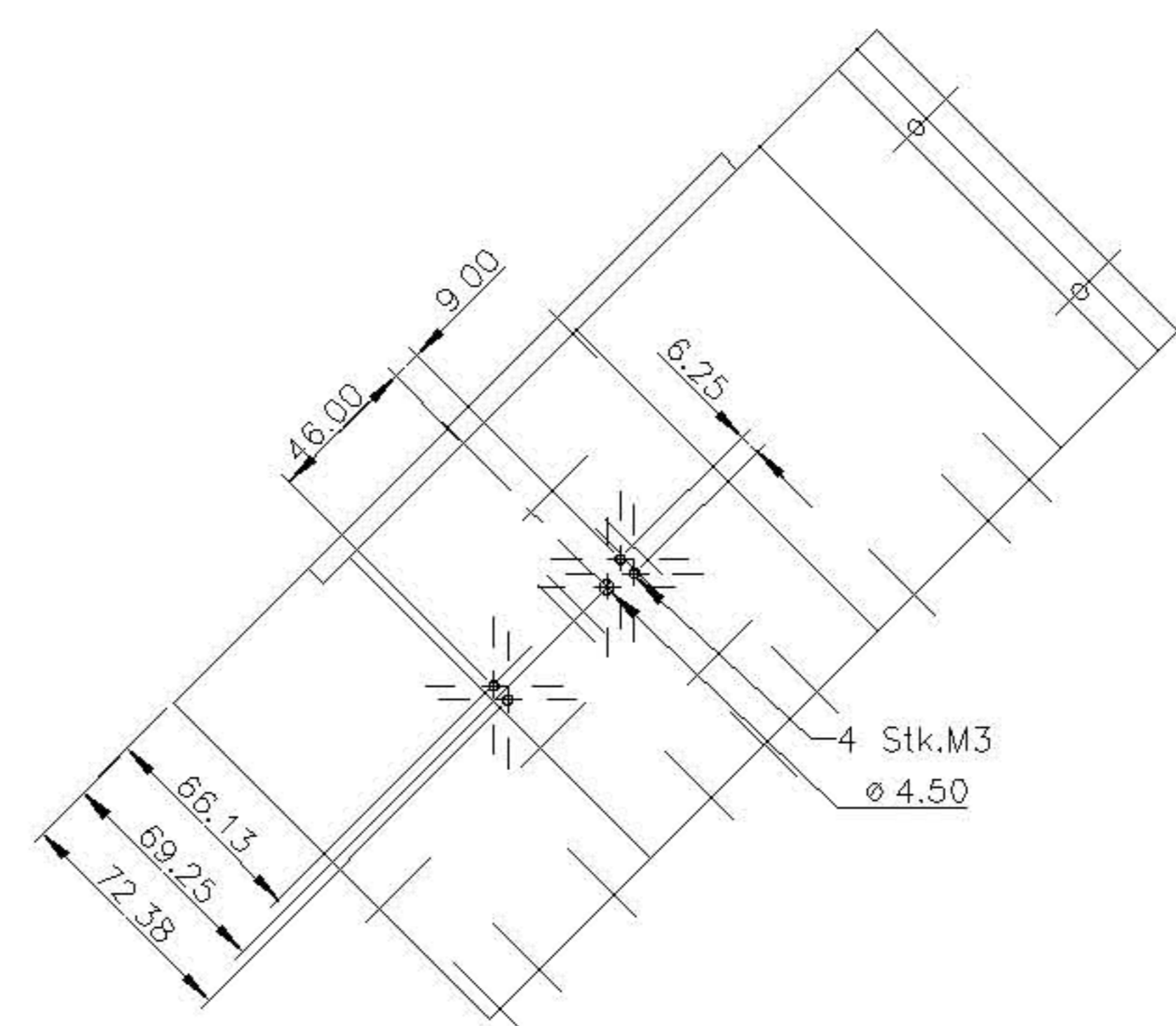
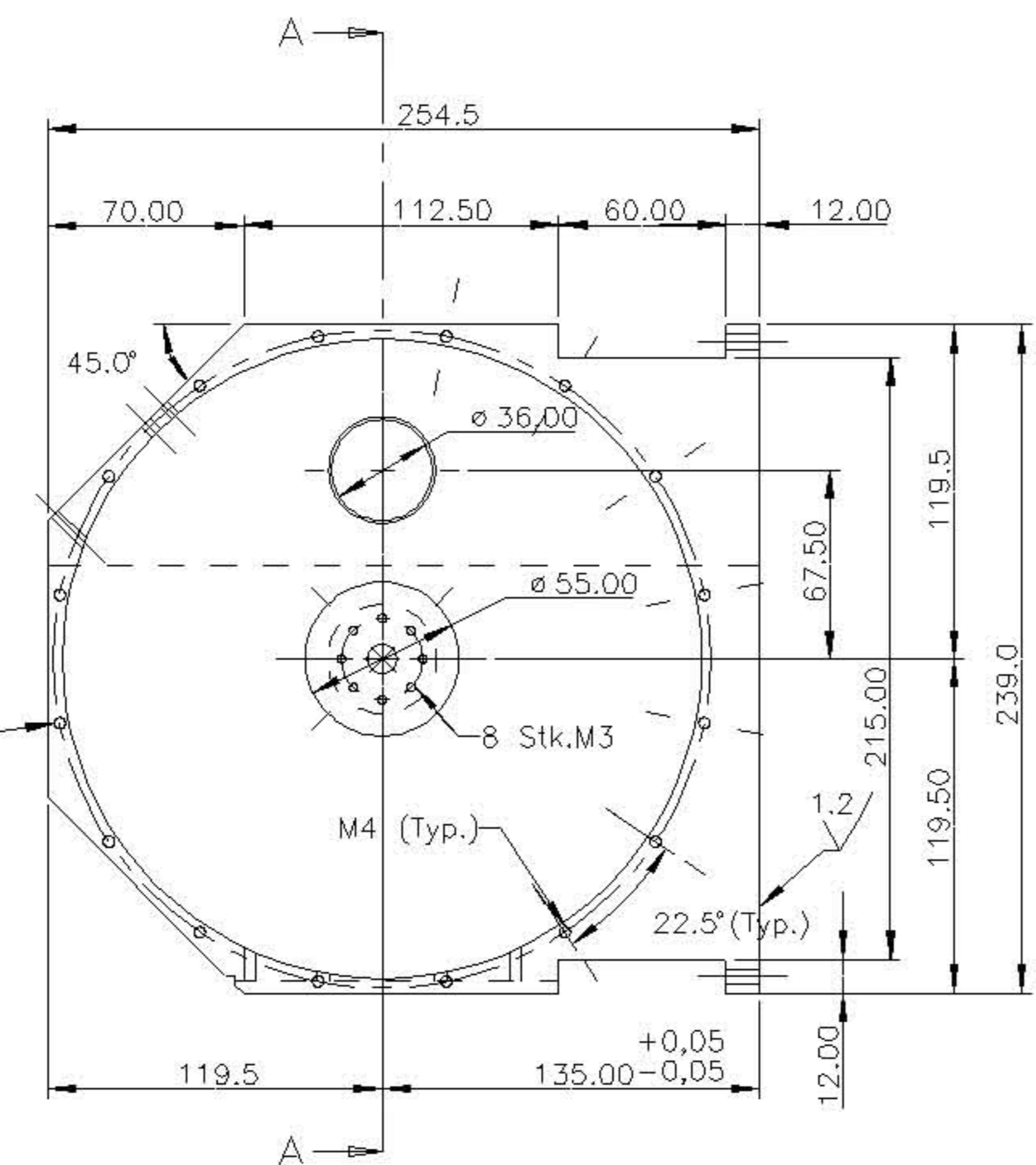
DETAIL A  
SCALE 2:1



SECTION A-A



16 HOLES ON PDI 235  
M4 (Typ.)



Draw stand.:	NS (CORRESP. ISO)	Material:	6082-T6	THIS DRAWING SHALL NOT BE COPIED OR COMMUNICATED TO ANY THIRD PERSON WITHOUT CONSENT FROM PROTOTECH A.S. N-5036 FANTOFT NORWAY.				Scale:	1:2	Org. format:	A1
General tol.:	NS ISO 2768-1	Mat. cert.:						Draw. no.:	97621_01_03_01_PRT_B		
Surf. rough.:	3,2	Proj.:						Title:	NOT - NORDIC OPTICAL TELESCOPE ENCLOSURE PART DRAWING		
Issue:	Status/Change:	Date:	Constr.:	Drawn:	Check:	Prod.:	App.:				
B	CHAMFER ON HOLE ?36	971217	PH ASI	-	-	-	RDS				
A	FIRST DRAWING	311097	PH AMAA	-	-	-	RDS				