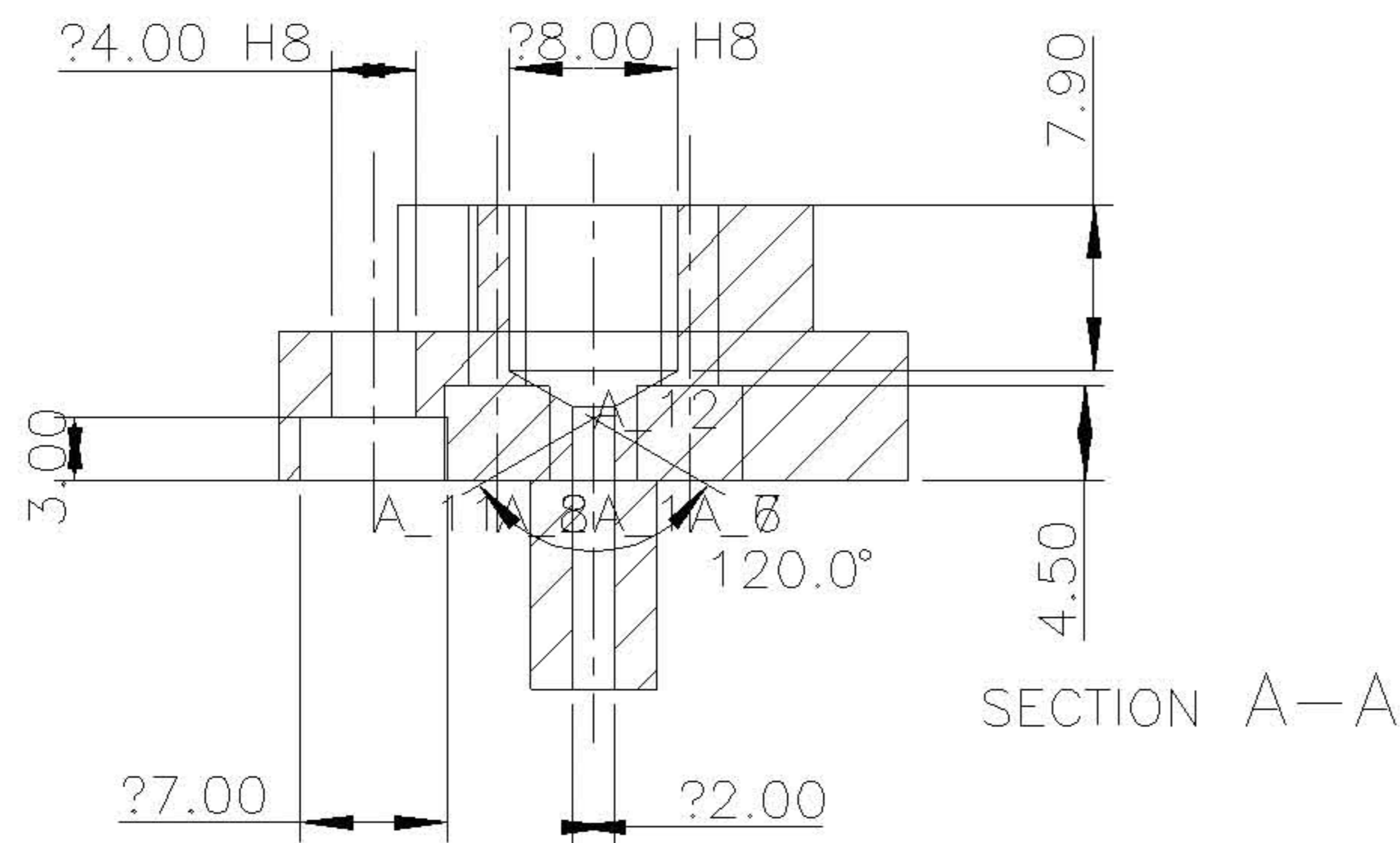
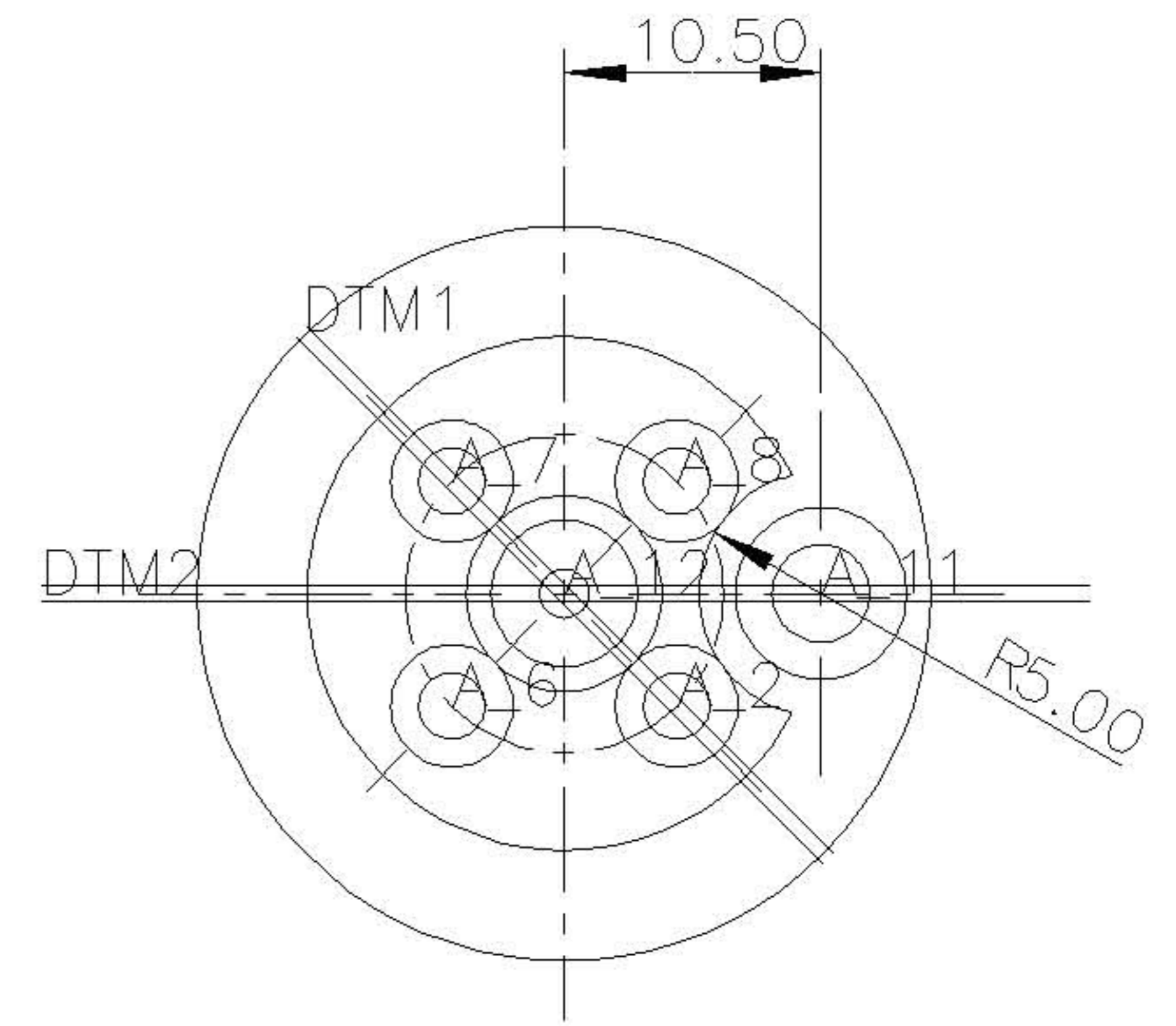
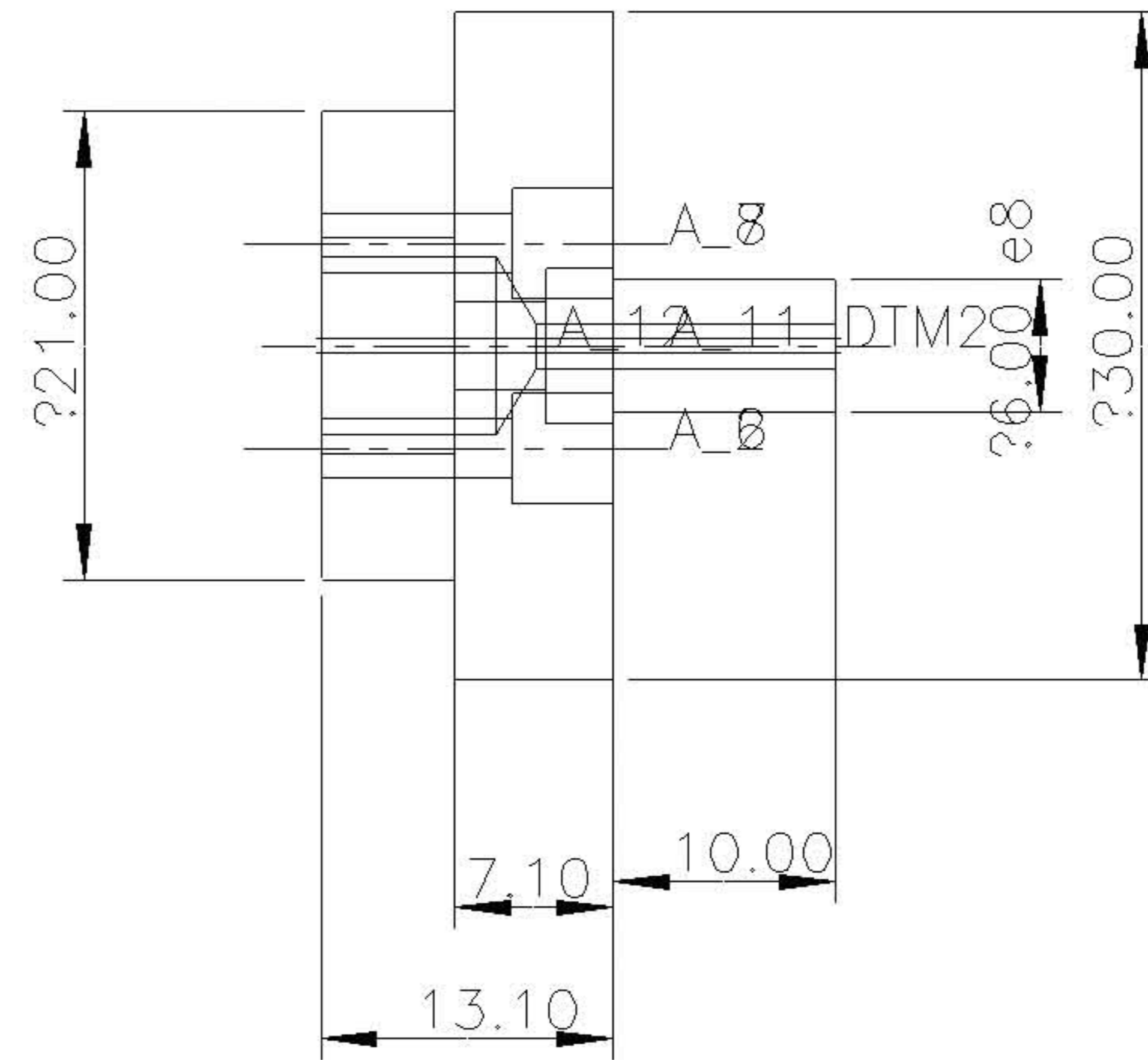
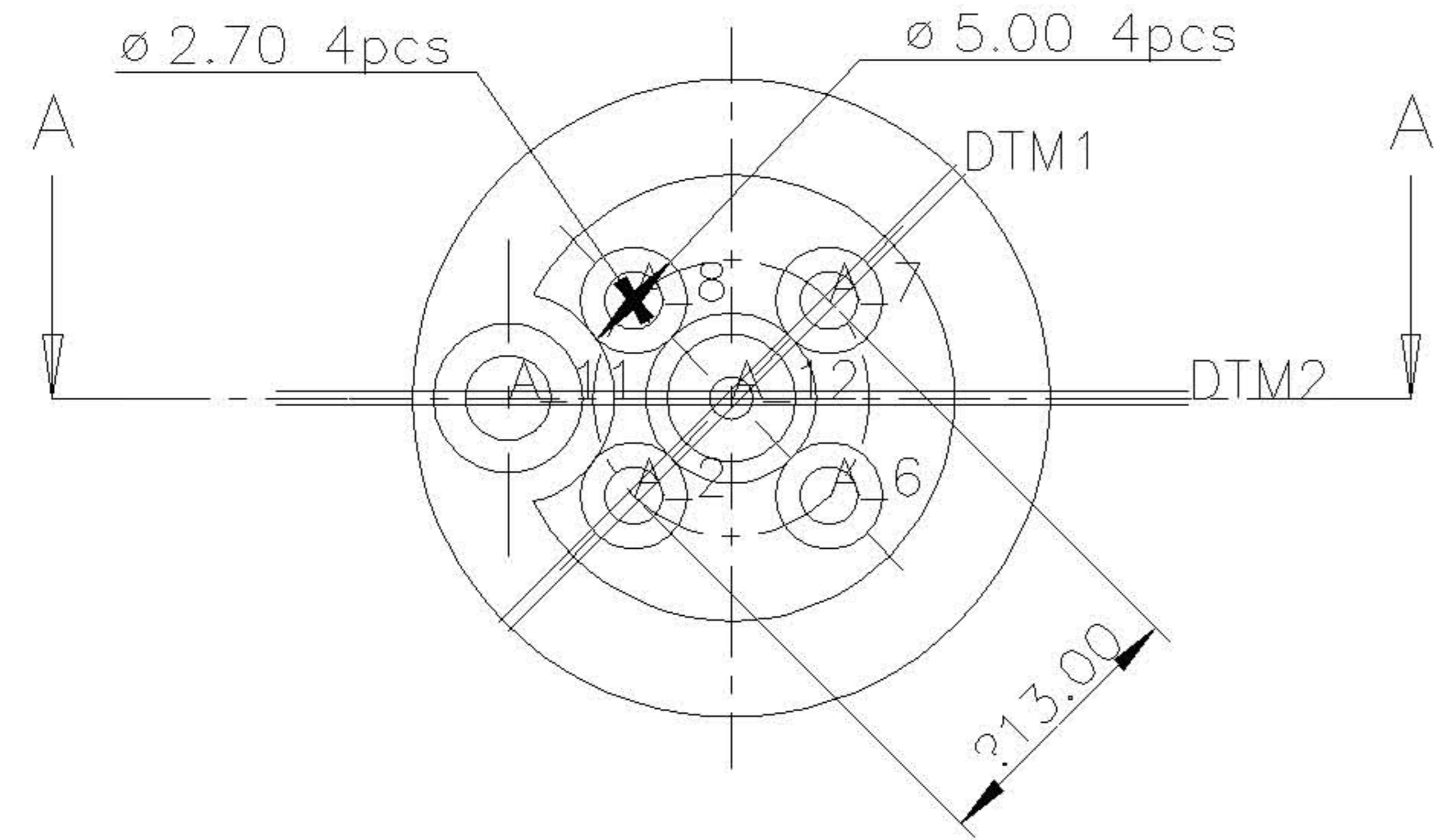


1 2 3 4 5 6

D


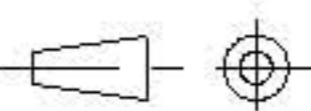
D



SECTION A-A

A

A

—	—	—	—	—	—	—	—	Draw stand.: NS (CORRESP.ISO)	Material: Aisi 316	THIS DRAWING SHALL NOT BE COPIED OR COMMUNICATED TO ANY THIRD PERSON WITHOUT CONSENT FROM PROTOTECH A.S. N-5036 FANTOFT NORWAY.		
—	—	—	—	—	—	—	General tol.: NS ISO 2768-1	Mat. cert.:	Scale: 2:1			Org. format: A3
—	—	—	—	—	—	—	Surf. rough.: 1.2	Proj.: 	Draw. no.:			
A	FIRST DRAWING	071197	PH	JYV	—	RR	RDS	Title: NOT Shutter Unit Flange A PART DRAWING			97621-01-06-10-PRT-A	
Issue:	Status/Change:	Date:	Constr:	Drawn:	Check:	Prod:	App.:					

1 2 3 4 5 6