

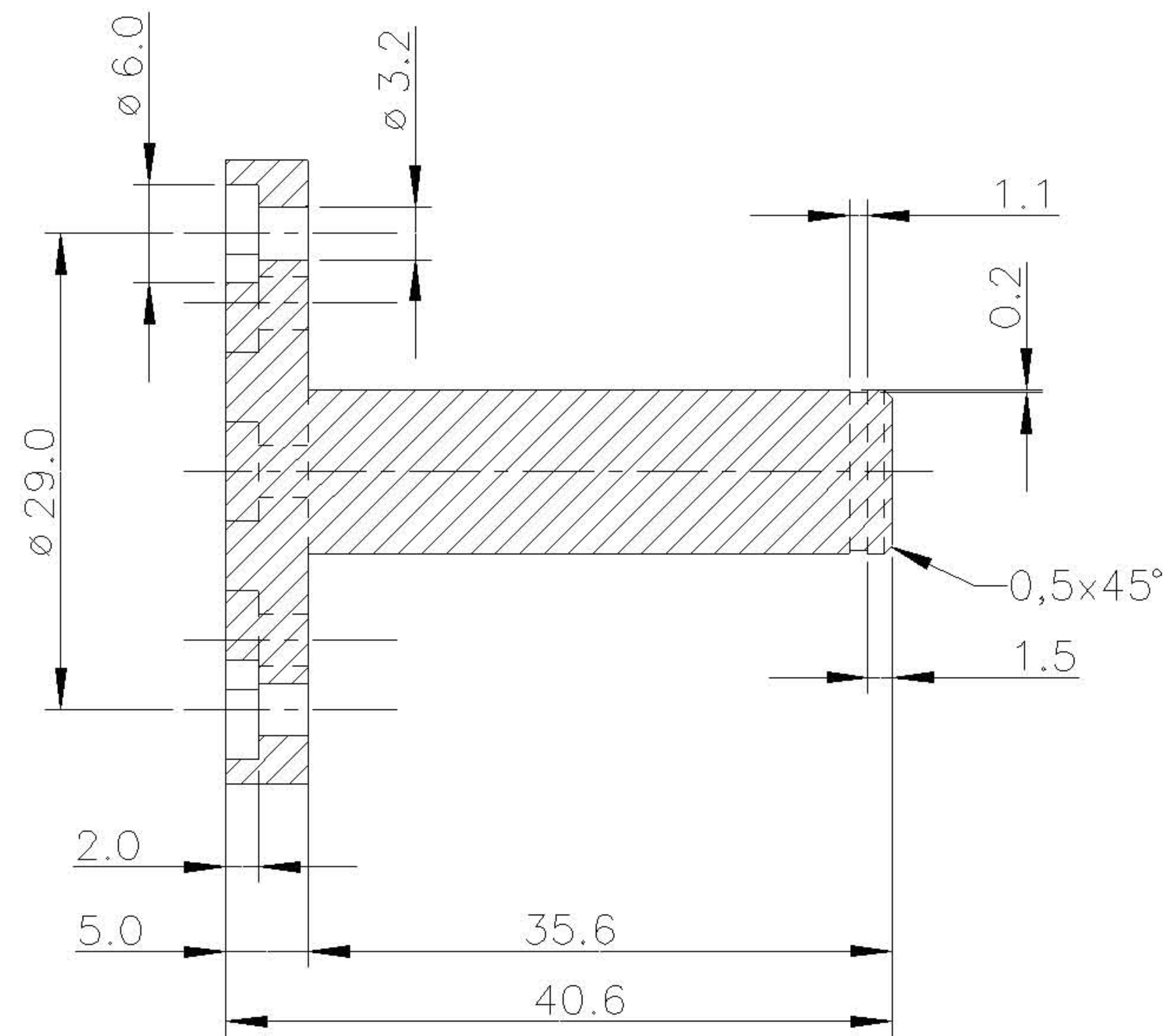
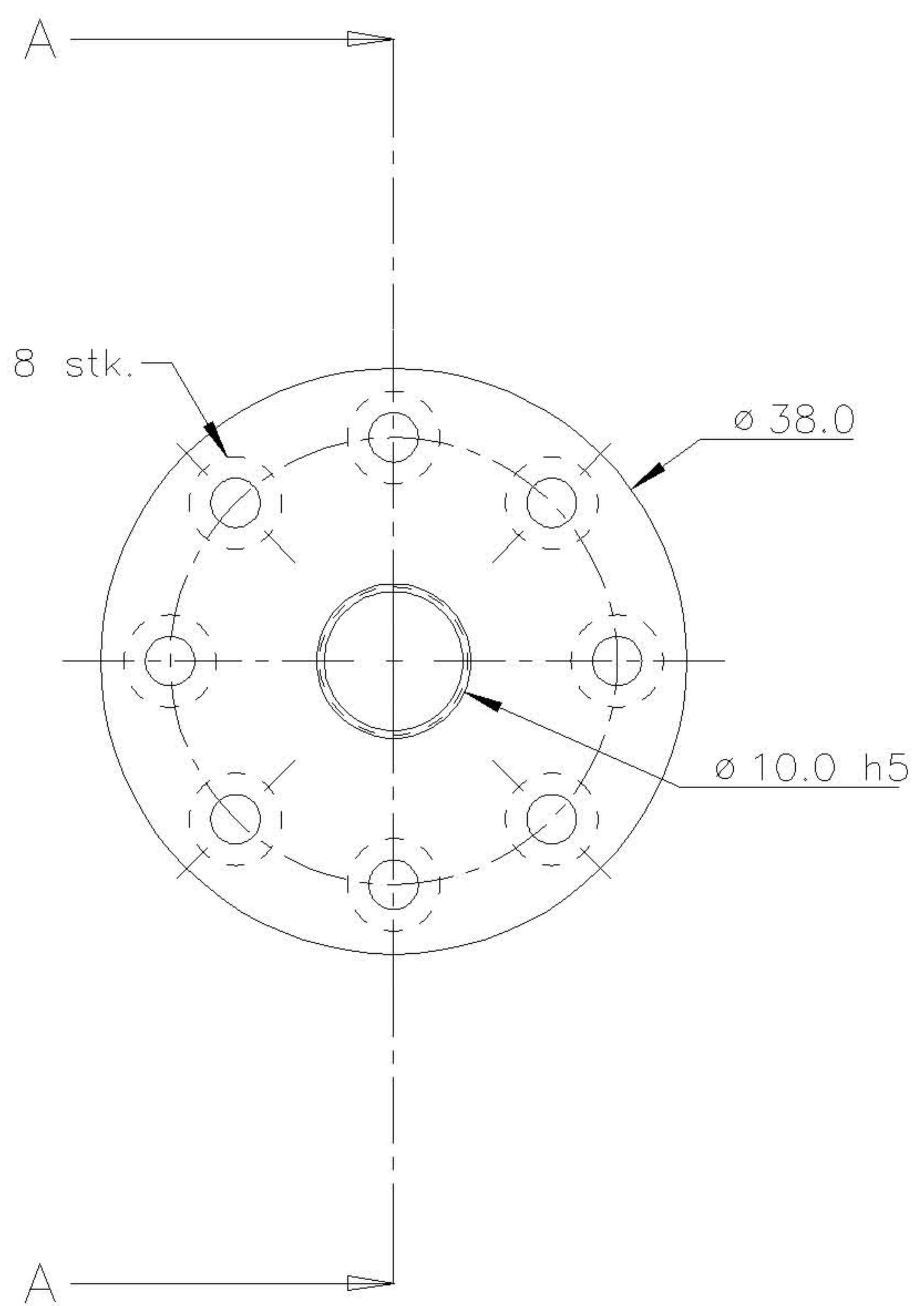
1 2 V 3 ^ 4 5 6

D

D



SCALE 1:1




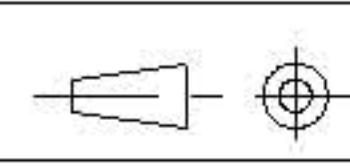
SECTION A-A

B

B

A

A

—	—	—	—	—	—	—	—	—	Draw stand.: NS (CORRESP. ISO)	Material: AISI 316	THIS DRAWING SHALL NOT BE COPIED OR COMMUNICATED TO ANY THIRD PERSON WITHOUT CONSENT FROM PROTOTECH A.S. N-5036 FANTOFT NORWAY.				
—	—	—	—	—	—	—	—	General tol.: NS ISO 2768-1	Mat. cert.:						
—	—	—	—	—	—	—	—	Surf. rough.: 1.2	Proj.:		Scale: 2:1	Org. format: A3			
—	—	—	—	—	—	—	—	Title: NOT – NORDIC OPTICAL TELESCOPE STUB SHAFT PART DRAWING				Draw. no.: 97621_01_03_06_PRT_A			
A	FIRST DRAWING		—	—	—	—	—	Issue:	Status/Change:	Date:	Constr:	Drawn:	Check:	Prod:	App.:

1 2 ^ 3 V 4 5 6