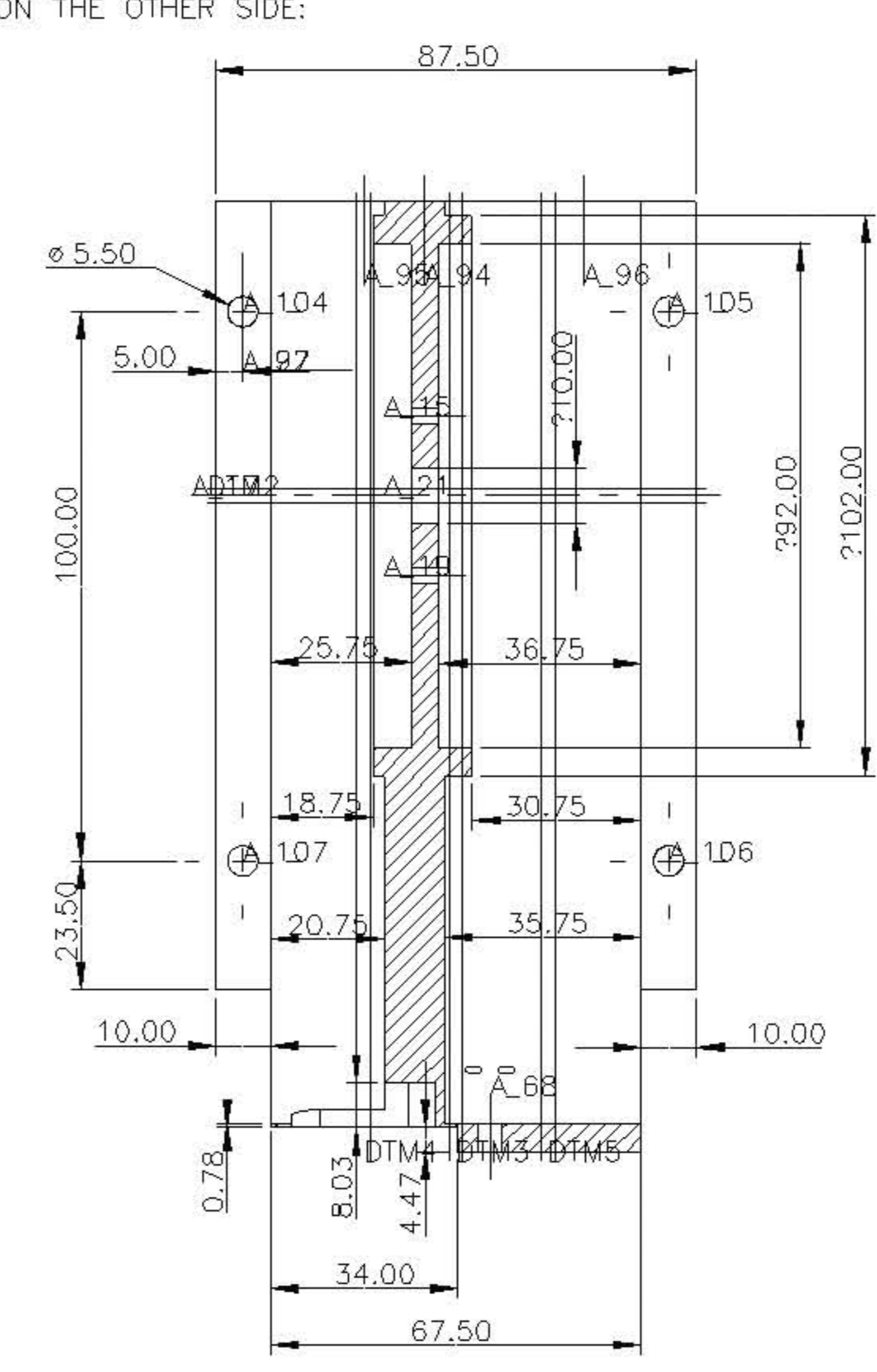
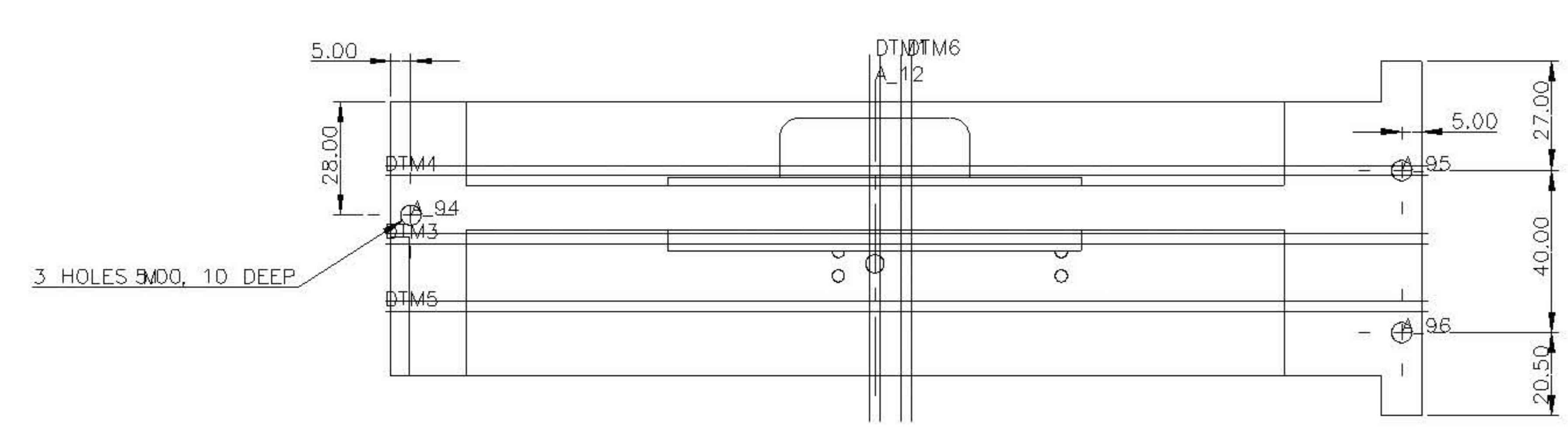
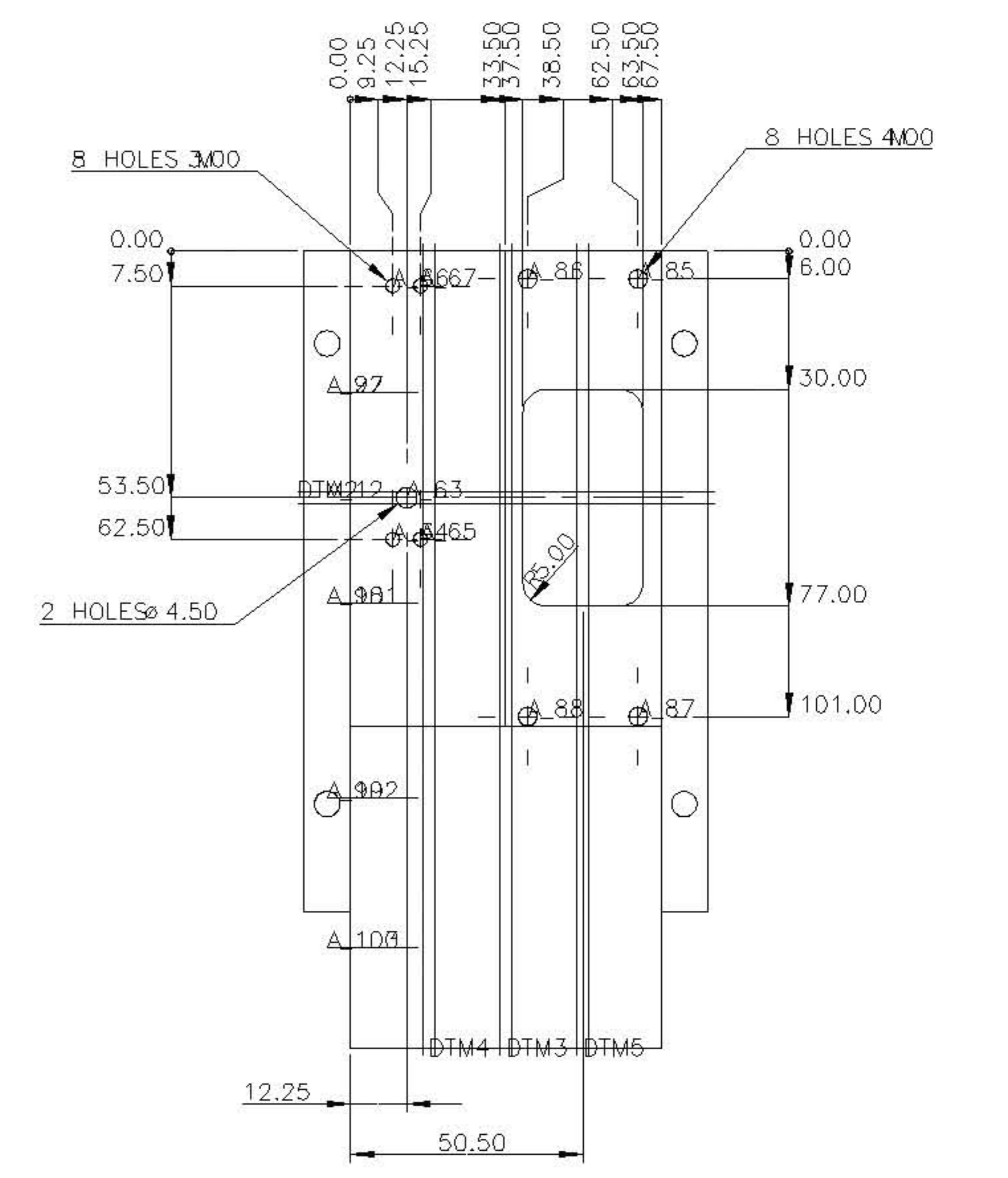


8 HOLES 4.00, 10 DEEP WITH VENTILATION
HOLE PATTERN ON THE OTHER SIDE:
SEE VIEW A.



SECTION A-A



A FIRST DRAWING		971107PH ASI - RR RDS						
Issue:	Status/Change:	Date:	Constr:	Drawn:	Check:	Prod:	App:	
Draw stand.:	Material:	THIS DRAWING SHALL NOT BE COPIED OR COMMUNICATED TO ANY THIRD PERSON WITHOUT CONSENT FROM PROTOTECH A.S. N-5036 FAVTØFT NORWAY.					Scale:	Orig. format:
General tol.:	Mat. cert.:						1:1	A1
Surf. rough.:	Proj.:	Title: NOT - NORDIC OPTICAL TELESCOPE MIDDLE SECTION B PART DRAWING					Draw. no.:	
3.2							97621_01_04_06_PRT_A	