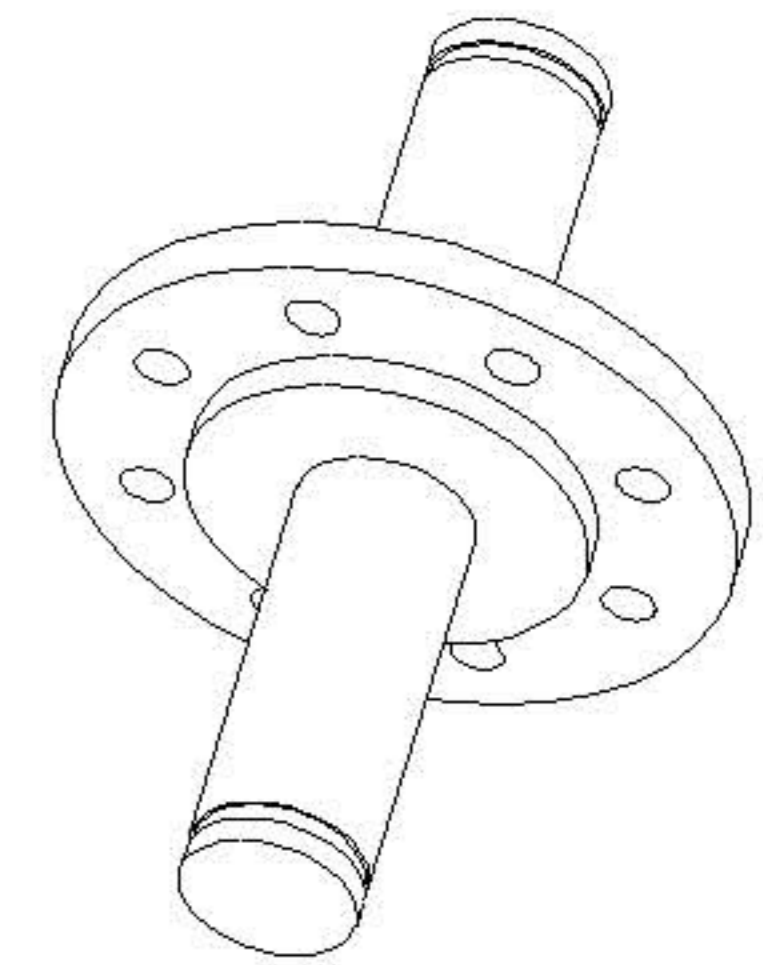
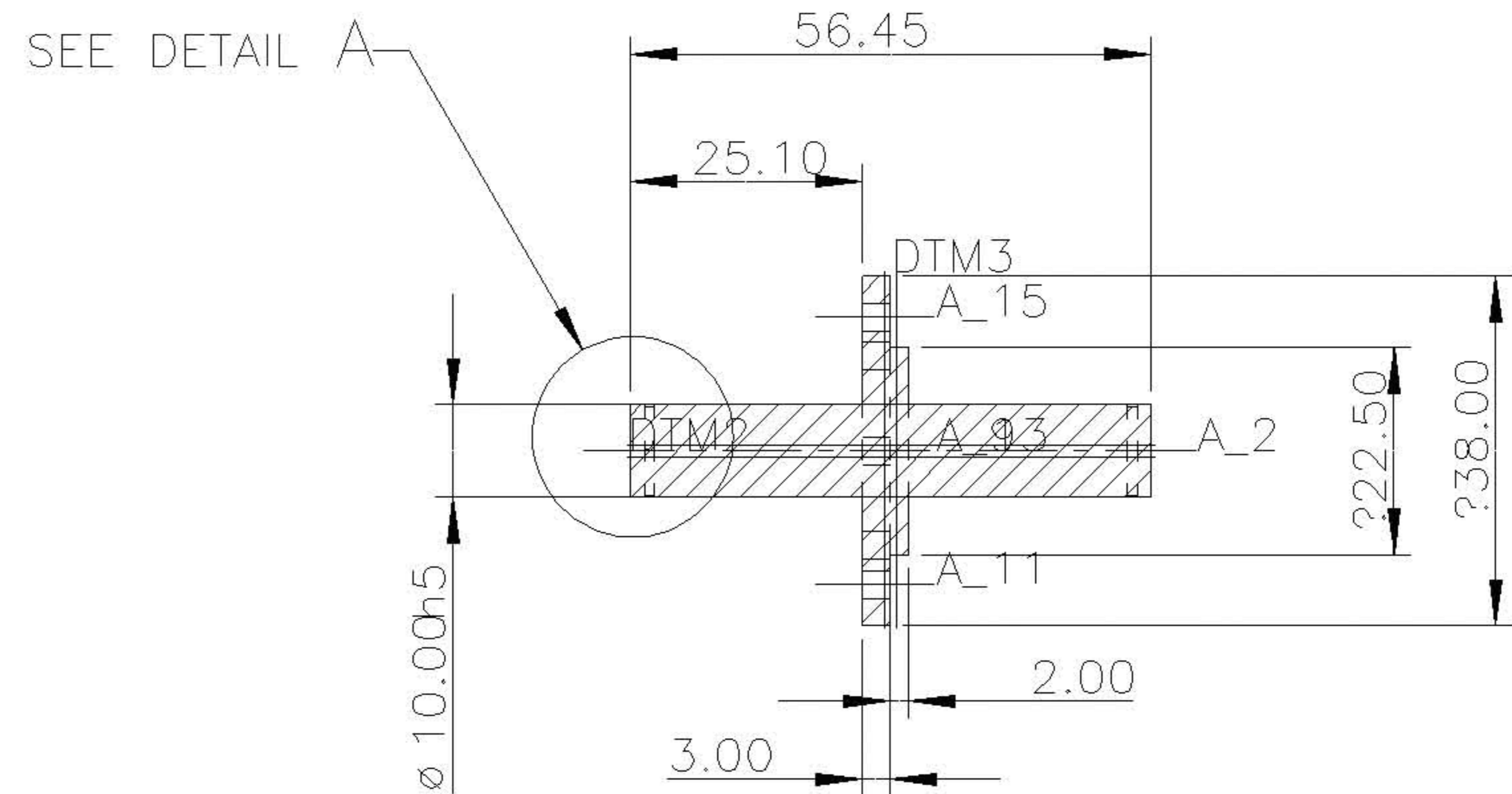
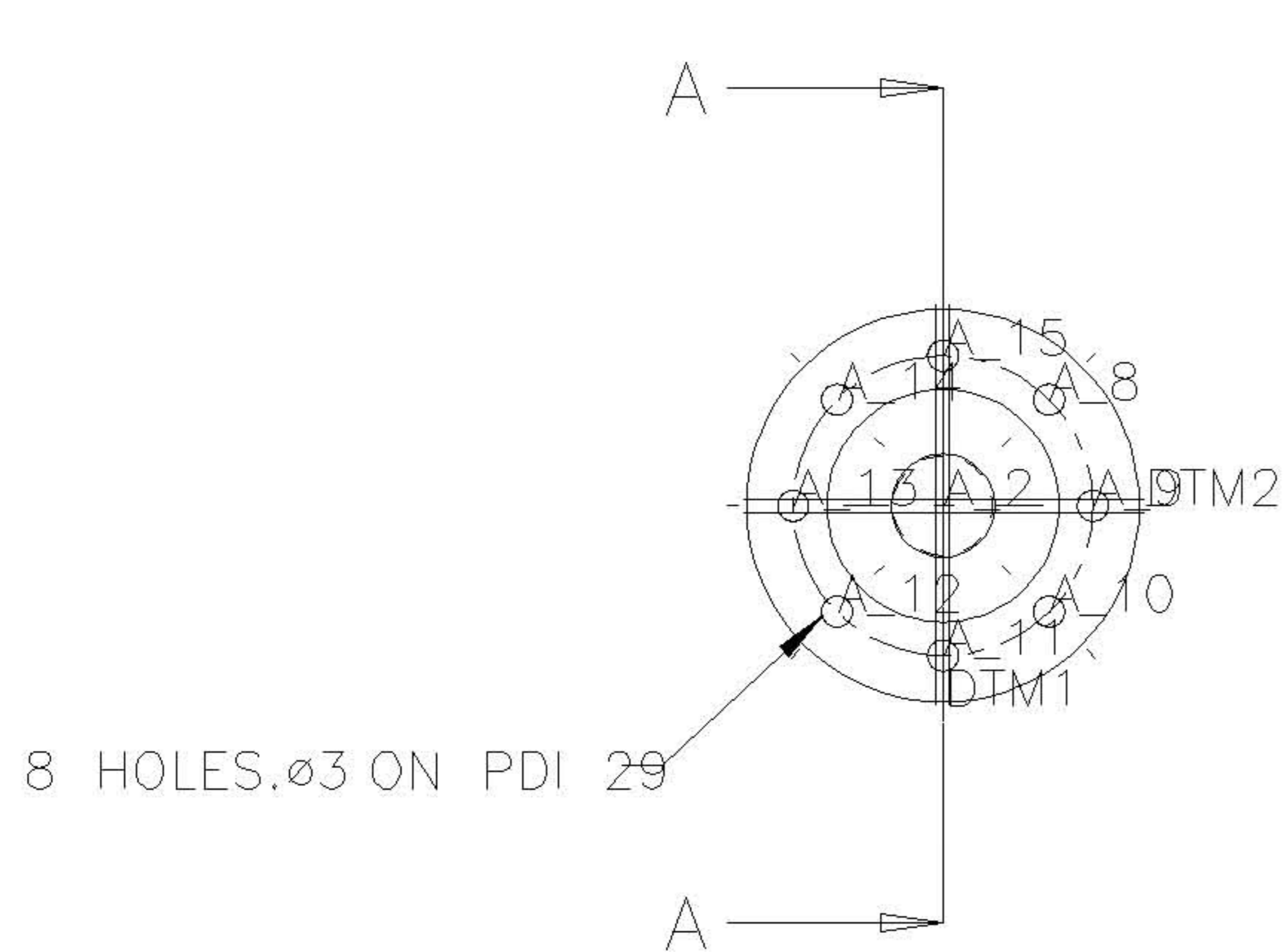



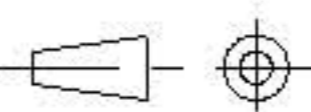
DETAIL A
SCALE 5:1



SCALE 1:1



SECTION A-A

—	—	—	—	—	—	—	—	—	Draw stand.: NS (CORRESP. ISO)	Material: AISI 316	THIS DRAWING SHALL NOT BE COPIED OR COMMUNICATED TO ANY THIRD PERSON WITHOUT CONSENT FROM PROTOTECH A.S. N-5036 FANTOFT NORWAY.	
—	—	—	—	—	—	—	—	General tol.: NS ISO 2768-1	Mat. cert.:			
—	—	—	—	—	—	—	—	Surf. rough.: 1.2	Proj.: 	Scale: 1:1		
—	—	—	—	—	—	—	—	—	Title: NOT – NORDIC OPTICAL TELESCOPE SHAFT B PART DRAWING			Draw. no.: 97621_01_04_09_PRT_A
A	FIRST DRAWING	971107PH	ASI	—	RR	RDS	—	—				
Issue:	Status/Change:	Date:	Constr:	Drawn:	Check:	Prod:	App.:					